

SPECIFICATION

COMMERCIALY AVAILABLE

ITEM: SAW FILTER
PART NUMBER: SF070014A

Prepared By:

Revised By:

Revised per ECO 4413: Added square corner orientation note.

ISSUED	CHECKED	CHECKED	CHECKED	APPROVED
01/23/2013 GL	01/23/2013 TFG	01/23/2013 GL		

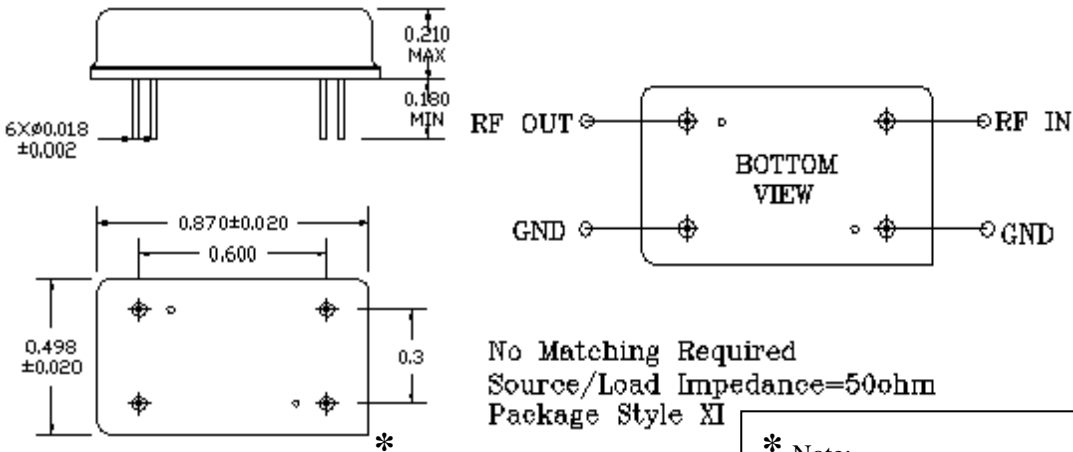
FILTRONETICS Inc

1. Part Number: SF070014A---RoHS Compliant

2. Electrical Specifications:

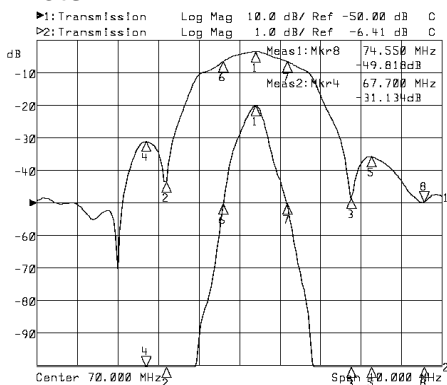
Parameter	Unit	Minimum	Typical	Maximum
Center Frequency	MHz	69.80	70.0	70.20
Insertion Loss at F ₀	dB		4.0	4.5
1 dB Bandwidth	MHz		0.80	
3 dB Bandwidth	MHz	1.45	1.57	
40dB Bandwidth	MHz		3.56	3.65
Pass band Variation	MHz		0.5	0.6
Group Delay Variation	nsec			
Absolute Delay	dB			
Ultimate Rejection	dB		40	
Substrate Material	-		128LiNbO3	
Ambient Temperature	°C		25	

3. Mechanical Package:

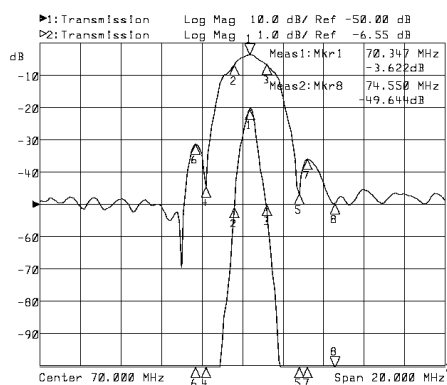


* Note:
Square corner denotes orientation.

4. Plots:



Horizontal: 1MHz/Div; Vertical: 1db & 10db/Div



Horizontal: 2MHz/Div; Vertical: 1db & 10db/Div