

SPECIFICATION

COMMERCIALY AVAILABLE

ITEM: DIELECTRIC CERAMIC FILTER
PART NUMBER: CF-07570023

REVISED August 14, 2008 – Changed Footprint

Prepared By:

Revised By:

ISSUED	CHECKED	CHECKED	CHECKED	APPROVED

FILTRONETICS Inc

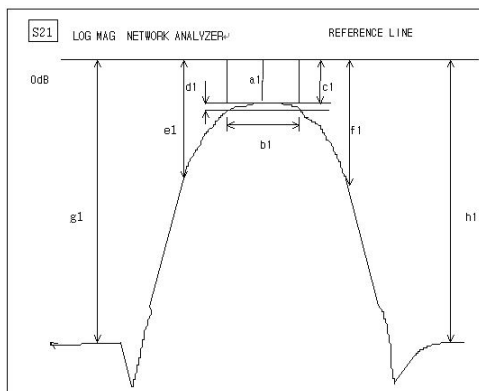
PART NUMBER

PART NO	CF-07570023
PACKAGING	PLASTIC TRAY

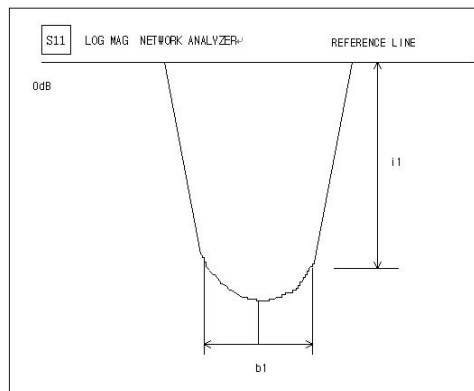
SPECIFICATIONS

ITEMS		SPECIFICATION
Center Frequency (Fo)		757.5 MHz
Pass Band Width		Fo +/-1Mhz Min
Insertion Loss	IN Fo+/-1MHz	3.0 dB Max
Attenuation	At 784.5~785.5MHz	20 dBc Min
	At 867~868MHz	58dBc (spec), 60dBc (typ.) Min
Return Loss	IN Fo+/-1MHz	12.5 dB Min
Impedance		50Ω
Maximum Input Power		1 W (+30dBm)
Operating Temperature Range		-35 ~ +75 degree(°C)

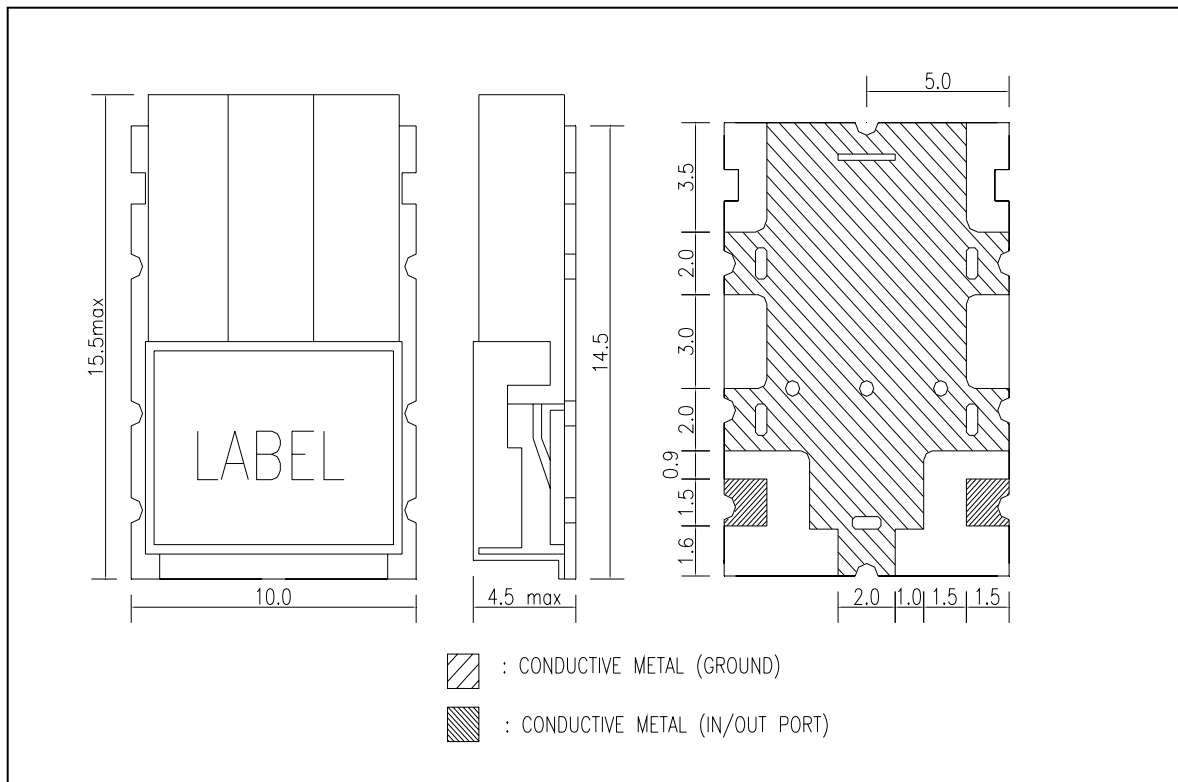
S21 LOG MAG NETWORK ANALYZER



S11 LOG MAG NETWORK ANALYZER



DIMENSIONS



<p>MATERIAL SPECIFICATION</p> <p>2. PCB</p> <p>1) MATERIAL: FR4</p> <p>2) TERMINALS: Au PLATED</p> <p>3. METAL CASE</p> <p>1) MATERIAL: Sn OR Ni PLATED</p> <p>4. RESONATOR</p> <p>1) COATING MATERIAL: Ag</p> <p>5. ROHS Compliant</p>
--

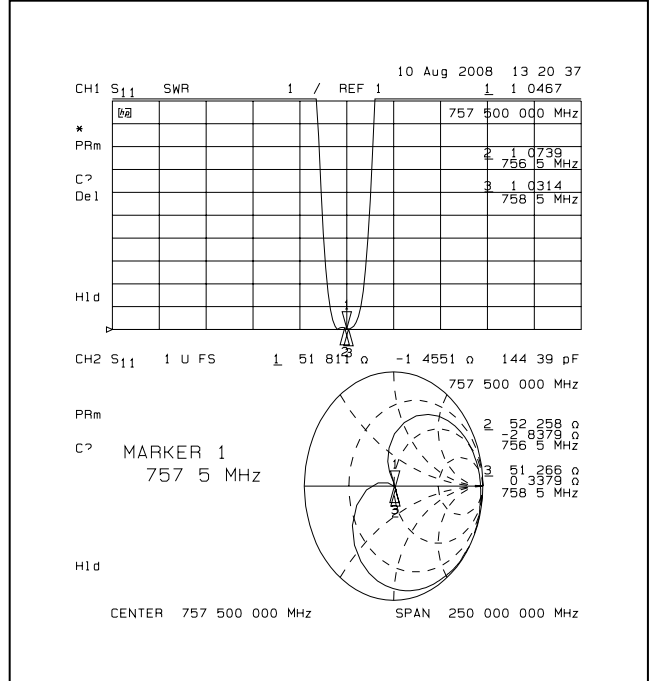
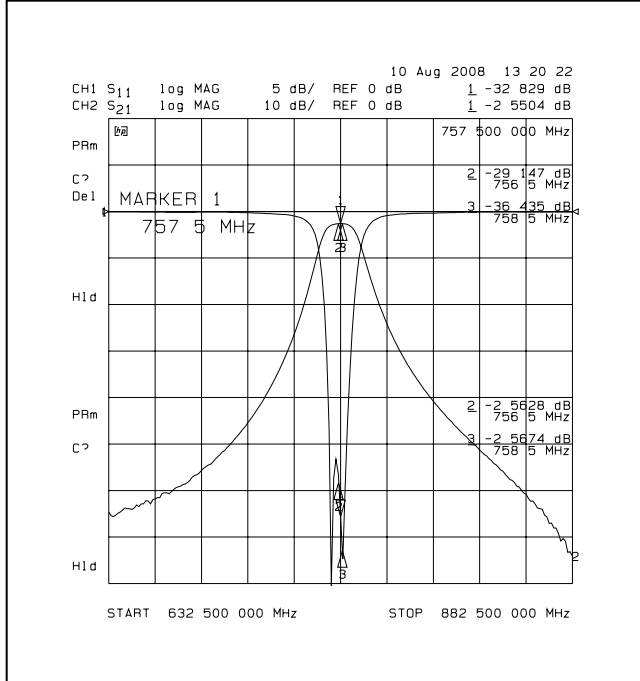
<p>MARKING</p> <p>Part No: CF-07570023</p> <p>Filtronetics, Inc</p> <p>Date Code</p> <p>UNIT: MM</p> <p>TOLERANCE: +/-0.5MM</p> <p>IN/OUT LAND: +/-0.3MM</p>

● **CAUTIONS:**

1. When handling products, be careful not to damage the outer-electrode.
2. When handling products be careful not to touch the outer-electrode with bare hands or solderability is reduced.
3. Do not apply excessive pressure or shock to product in handling or in transportation or damage to the ceramic filters may result.

GRAPHS

S21 vs S11 (INSERTION LOSS, RETURN LOSS, V.S.W.R, SMITH CHART)



S21 (1DB BAND WIDTH, ATTENUATION)

