

SPECIFICATION

COMMERCIALY AVAILABLE

**ITEM: CERAMIC FILTER
PART NUMBER:CF-06100304**

ISSUED	CHECKED	CHECKED	CHECKED	APPROVED
6/5/08 **				
7/22/11 kn				

1. APPLICATION

THIS SPECIFICATION APPLIES TO BAND PASS FILTER, USING DIELECTRIC RESONATORS.

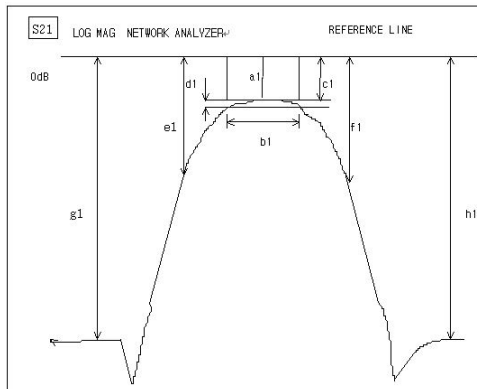
2. PART NUMBER

PART NO	CF-06100304
PACKAGING	PLASTIC TRAY

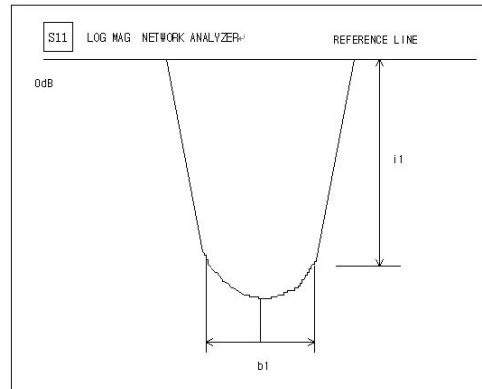
3. SPECIFICATIONS

NO	ITEMS	Ref.	SPECIFICATION
1	Center Frequency (Fo)	-	610 MHz
2	Pass Band Width (=PB)	-	Fo +/-15Mhz
3	Insertion Loss IN PB	-	3.0 dB Max
4	Ripple IN Fo+/-5MHz	-	0.5 dB Max
5	Attenuation [Absolute Value]	At Fo-122MHz	50 dB Min
		At Fo+122MHz	50 dB Min
6	Return Loss (input =S11) IN PB	-	13 dB Min
7	Impedance	-	50Ω
8	Maximum Input Power	-	1 W (+30dBm)
9	Operating Temperature Range	-	-30 ~ +85 °C

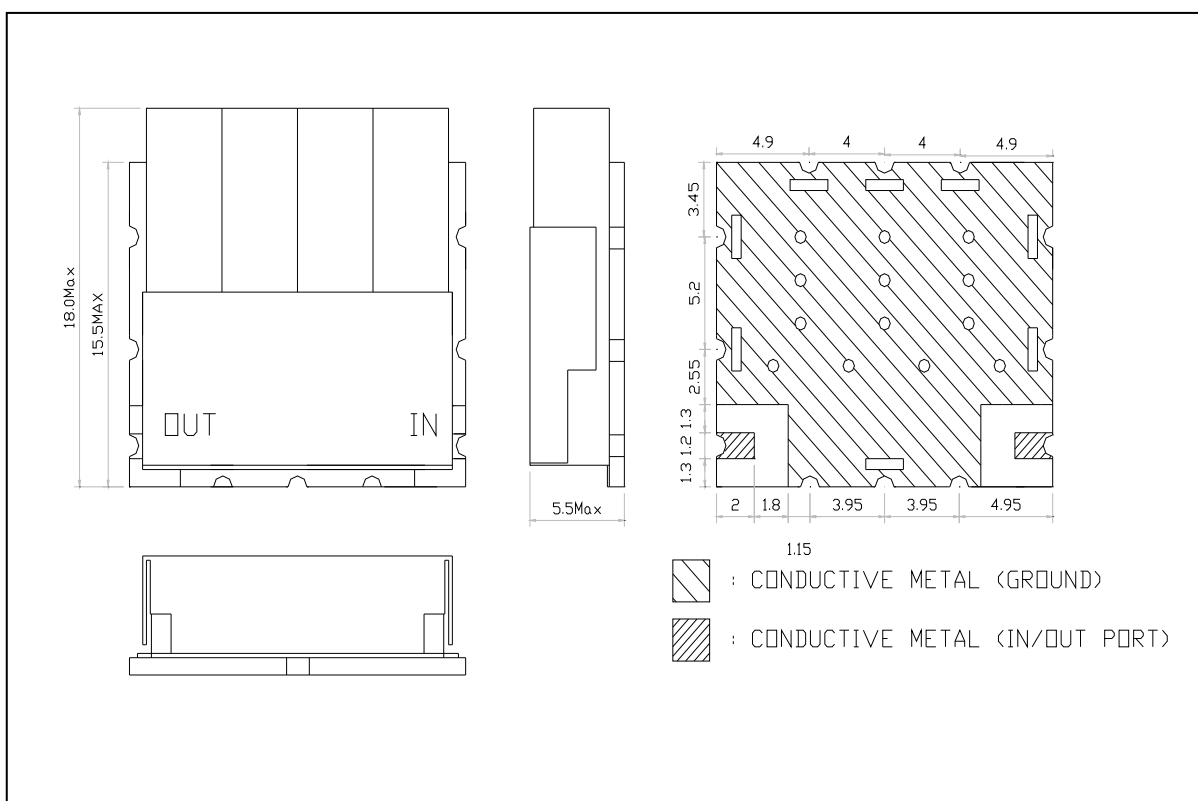
S21 LOG MAG NETWORK ANALYZER



S11 LOG MAG NETWORK ANALYZER



4. DIMENSIONS



MATERIAL SPECIFICATION

1. PCB
 - 1) MATERIAL: FR4
 - 2) TERMINALS: Au PLATED
2. METAL CASE
 - 1) MATERIAL: Sn OR Ni PLATED
3. RESONATOR
 - 1) COATING MATERIAL: Ag
4. ROHS Compliant

MARKING

Part No: CF-06100304
 Filtronetics, Inc
 Date Code

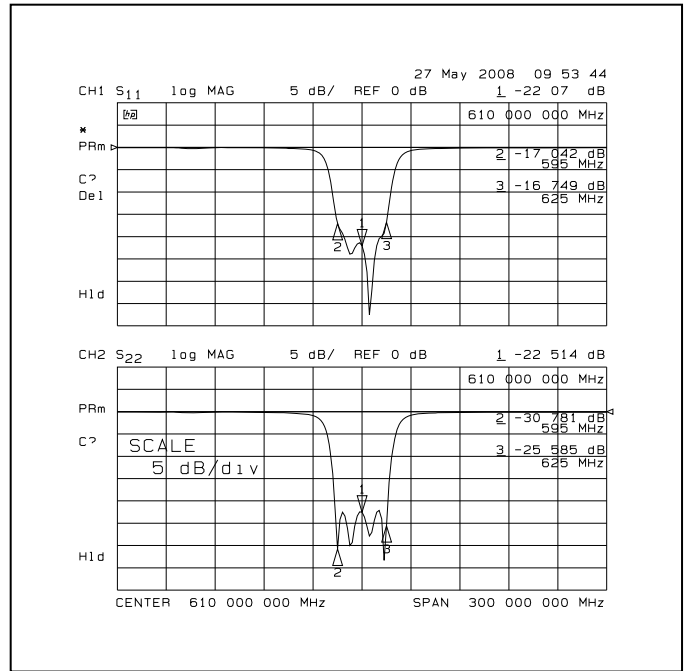
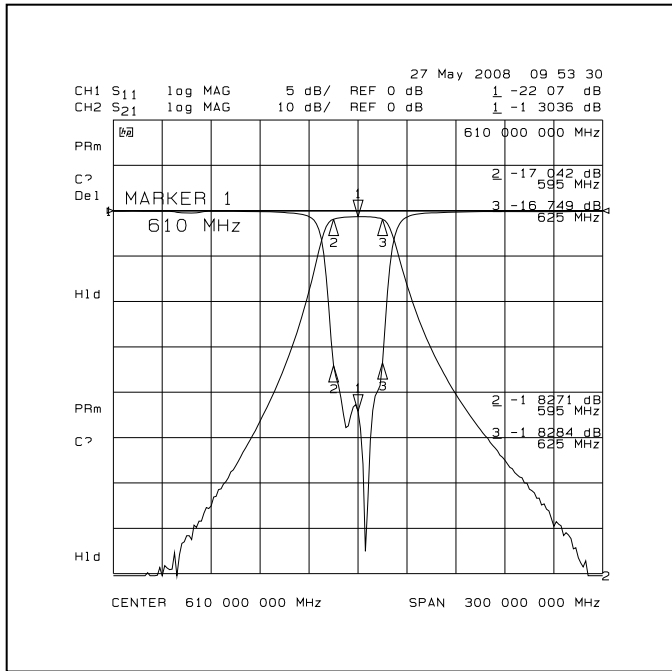
UNIT: MM
 TOLERANCE: +/-0.5MM
 IN/OUT LAND: +/-0.3MM

● CAUTIONS:

1. When handling products, be careful not to damage the outer-electrode.
2. When handling products, be careful not to touch the outer-electrode with bare hands or solderability is reduced.
3. Do not apply excessive pressure or shock to product in handling or in transportation or damage to the ceramic filters may result.

5. GRAPHS:

S21 vs. S11 (INSERTION LOSS, RETURN LOSS, S11, S22 RETURN LOSS)



S21 (0.5dB BAND WIDTH, ATTENUATION)

