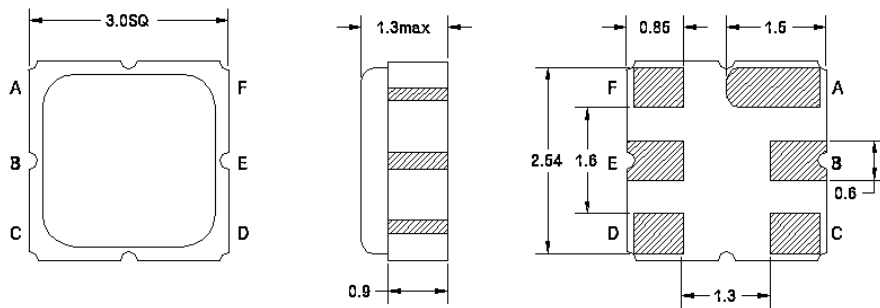


Part Number: SF770200

Parameters Description	Unit	Minimum	Typical	Maximum
Center Frequency (Fo)	MHz	-	770.0	-
Insertion Loss 760 ~ 780 MHz	dB	-	2.2	3.0
Source Impedance (single ended) <sup>(1)</sup>	$\Omega$	-	50	-
Load Impedance (single ended) <sup>(1)</sup>	$\Omega$	-	50	-
Operating Temperature Range	$^{\circ}\text{C}$	-30	-	+65
VSWR within 760 ~ 780 MHz		-	1.45	2.0
Amplitude Ripple within 760 ~ 780 MHz	dB <sub>p-p</sub>	-	0.7	1.5
Attenuation:				
560.0 ~ 730.0 MHz	dB	50	58	-
824.0 ~ 849.0 MHz	dB	38	45	-
849.0 ~ 970.0 MHz	dB	50	58	-
Maximum DC Voltage	V	-	-	5
Maximum Input Power	dBm	-	-	15
Package type & size		M		
Length x Width	mm <sup>2</sup>	-	3.0 x 3.0	-
Height	mm	-	-	1.3

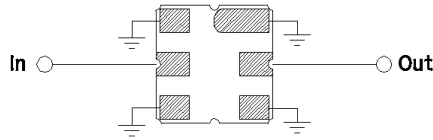
**Notes :** No Matching Network (Ref. Testing Environment Circuit as shown below).

PACKAGE DRAWING



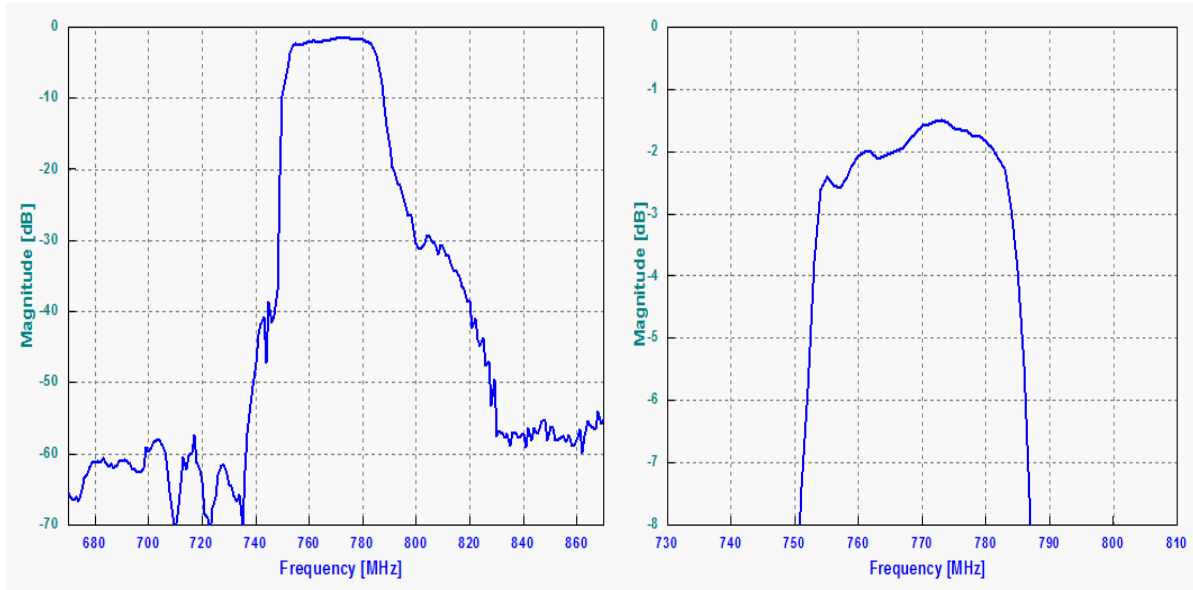
PIN Descriptions: IN - E, OUT - B, GROUND – A, C, D, F

TESTING ENVIRONMENT



Source & Load Impedance: 50 Ω

FREQUENCY RESPONSE



VSWR

