

SPECIFICATION

COMMERCIALY AVAILABLE

SAW BAND PASS FILTER
PART NUMBER: SF1680015

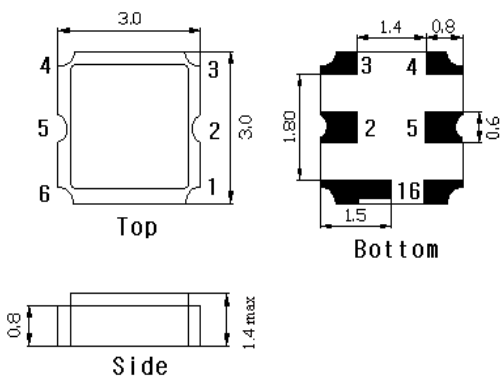
ISSUED / REVISION	ENGINEER APPROVED	DOCUMENT CHECKED	DRAFTSMAN
06/26/2019 ^(JDE)	6/27/2019 ^(TG)		

FILTRONETICS Inc

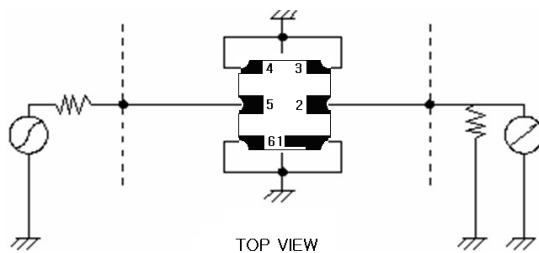
1. Electrical Specifications:

Index	Unit	Min	Typical	Max
Center Frequency (Fo)	MHz	-	1680	-
Pass Band Width (1672.5 – 1687.5 MHz)	MHz	-	15.0	-
Insertion Loss (Pass Band)	dB	-	3.8	5.5
Ripple Deviation (Pass Band)	dB	-	0.80	2.00
Stop Band Rejection (Absolute Attenuation)	DC – 1560 MHz	40	45	-
	1800 – 3000 MHz	30	35	-
Maximum DC Voltage	VDC	-	-	3
Maximum Input Power	dBm	-	-	10
Terminating Impedance	Ω	-	50	-
Operating Temperature	$^{\circ}\text{C}$	-40	-	+65
Storage Temperature	$^{\circ}\text{C}$	-55	-	+85

2. Dimension:



3. Matching Configuration:



No Matching Required
Source / Load Impedance = 50 Ω
 Ambient Temperature = 25 $^{\circ}\text{C}$