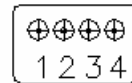
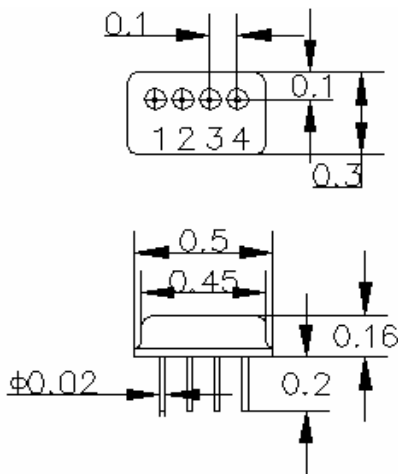


1. Part Number: SF140024B

2. Electrical Specifications:

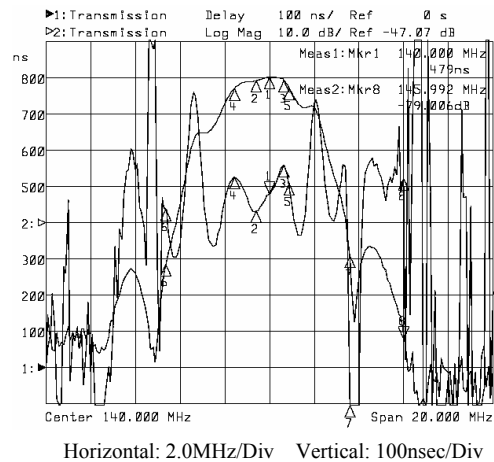
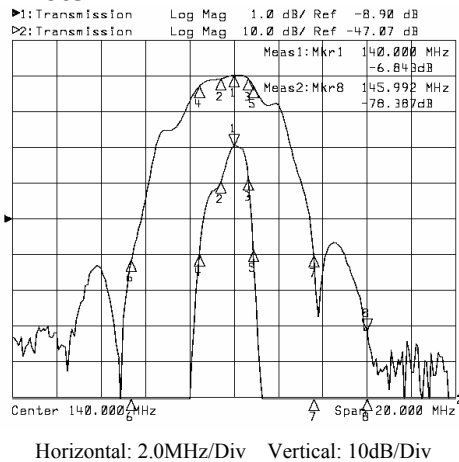
Parameter	Unit	Minimum	Typical	Maximum
Center Frequency	MHz	139.9	140	140.1
Insertion Loss at F <sub>0</sub>	dB		6.8	7.0
1 dB Bandwidth	MHz	1.2	1.24	
3 dB Bandwidth	MHz	2.35	2.44	
50dB Bandwidth	MHz		8.22	8.35
Pass band Variation	dB		0.2	0.3
Group Delay Variation	nsec		150	160
Absolute Delay	usec		0.6	
Ultimate Rejection	dB	70	80	
Substrate Material	-		128LiNbO3	
Ambient Temperature	□		25	

3. Mechanical Package: (Two packages per set)



SB-7 IN (OUT) : 1  
OUT (IN) : 4  
GND : 2, 3

4. Plots:



**Note: All the data shown are for two SAW filters in cascaded configuration**