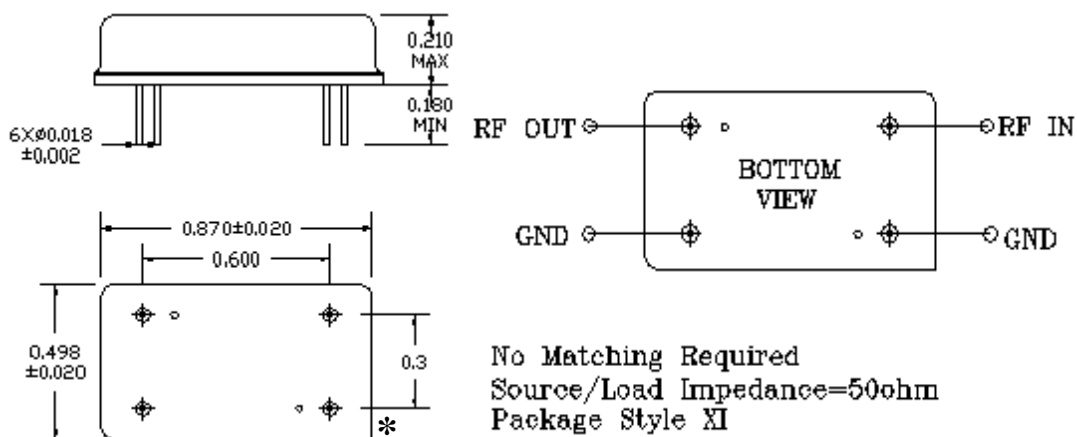


1. Part Number: SF140020

2. Electrical Specifications:

Parameter	Unit	Minimum	Typical	Maximum
Center Frequency	MHz	139.9	140.0	140.1
Insertion Loss at F <sub>0</sub>	dB			27
1db bandwidth	MHz		1.45	
3 dB Bandwidth	MHz	1.9	2.0	
40dB Bandwidth	MHz			3.9
Passband Variation (Fo+/-0.5MHz)	dB			1.5
Group delay (Fo+/-0.5MHz)	ns			300
Ultimate Rejection	dB	40	45	
Substrate Material			Quartz	
Ambient Temperature	°C	-30	25	+65

3. Mechanical Package:



\* Note:  
Square corner denotes orientation.

4. Plots:  
TBD