

SPECIFICATION

COMMERCIALY AVAILABLE

SAW BAND PASS FILTER
PART NUMBER: SF1200010

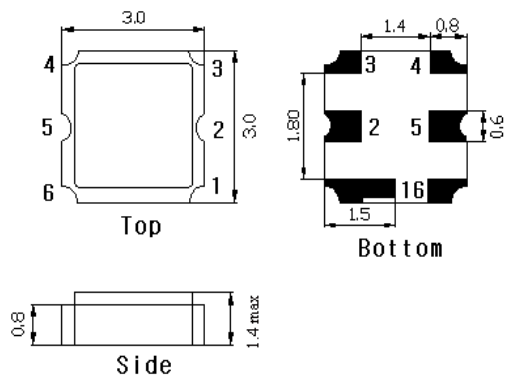
ISSUED / REVISION	ENGINEER APPROVED	DOCUMENT CHECKED	DRAFTSMAN
06/26/2019 ^(JDE)	6/27/2019 ^(TG)		

FILTRONETICS Inc

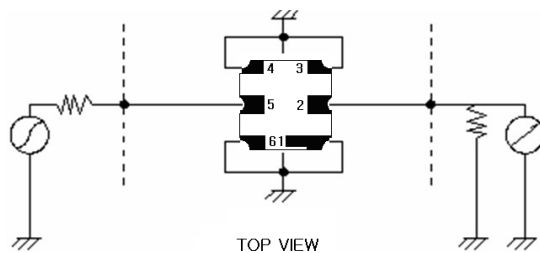
1. Electrical Specifications:

Index		Unit	Min	Typical	Max
Center Frequency (Fo)		MHz	-	1200	-
Pass Band Width (1195.0 – 1205.0 MHz)		MHz	-	10.0	-
Insertion Loss (Pass Band)		dB	-	3.0	4.5
Ripple Deviation (Pass Band)		dB	-	0.80	2.00
Stop Band Rejection (Absolute Attenuation)	DC – 1162 MHz	dB	30	45	-
	1264 – 3000 MHz		30	35	-
Maximum DC Voltage		VDC	-	-	3
Maximum Input Power		dBm	-	-	10
Terminating Impedance		Ω	-	50	-
Operating Temperature		$^{\circ}\text{C}$	-40	-	+65
Storage Temperature		$^{\circ}\text{C}$	-55	-	+85

2. Dimension:



3. Matching Configuration:



No Matching Required
Source / Load Impedance = 50 Ω
 Ambient Temperature = 25 $^{\circ}\text{C}$