

SPECIFICATION
COMMERCIALY AVAILABLE

SAW BAND PASS
PART NUMBER: SF1105040

RoHS

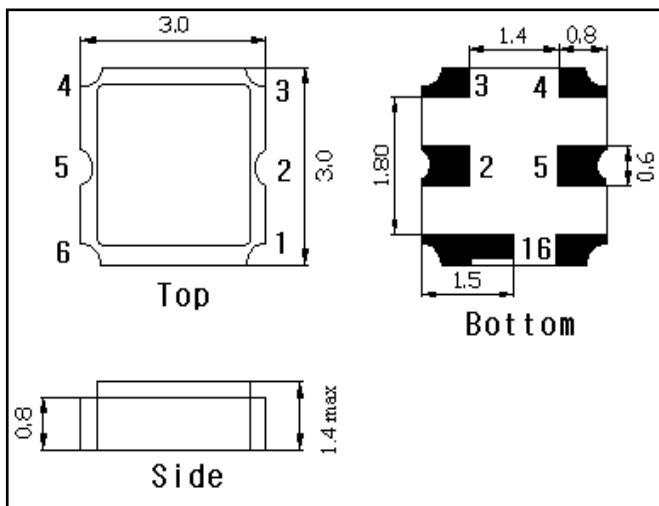
ISSUED / REVISION	ENGINEER APPROVED	DOCUMENT CHECKED	DRAFTSMAN
10/25/16 ^(kn)			

FILTRONETICS Inc

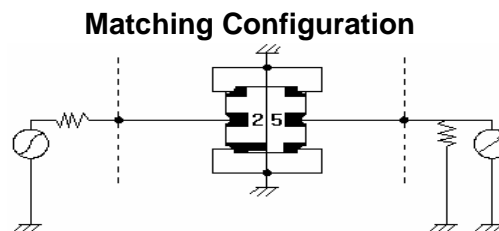
1. Electrical Specifications:

Item	Unit	Condition	Min	Typ	Max
Center Frequency	MHz	Fo	1105.0		
Pass Band Width	MHz	1085.0 ~ 1125.0	40.0		
Insertion Loss	dB	Pass Band	-	3.0	4.5
Ripple Deviation	dB	Pass Band	-	1.7	2.5
Stop Band Rejection (Absolute Attenuation)	dB	DC ~ 985.0 MHz	45	55	-
		1174.0 ~ 1208.0MHz	35	45	-
		1270.0 ~ 1470.0MHz	45	55	-
I/O VSWR	-	Pass Band	-	1.8	2.5
Maximum DC Voltage	V	3			
Maximum Input Power	dBm	10			
Terminating Impedance	Ω	50			
Operating Temperature	$^{\circ}\text{C}$	-30 ~ +85			
Storage Temperature	$^{\circ}\text{C}$	-40 ~ +85			

2. Dimension:



Marking:
SF1105040
Date Code



No Matching Required
Source / Load Impedance = 50 Ω
Ambient Temperature = 25 $^{\circ}\text{C}$

3. Simulation:

