

SPECIFICATION

COMMERCIALY AVAILABLE

ITEM: SAW FILTER
PART NUMBER: SF0915010
RoHS

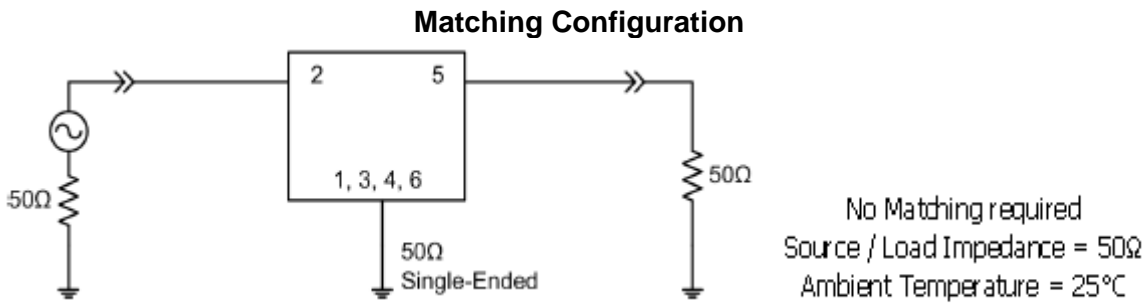
ISSUED / REVISION	ENGINEER APPROVED	DOCUMENT CHECKED	DRAFTSMAN
11/19/10 DS	12/2/2010 SRJ	12/22/2010 BF	12/22/2010 GIL

FILTRONETICS Inc

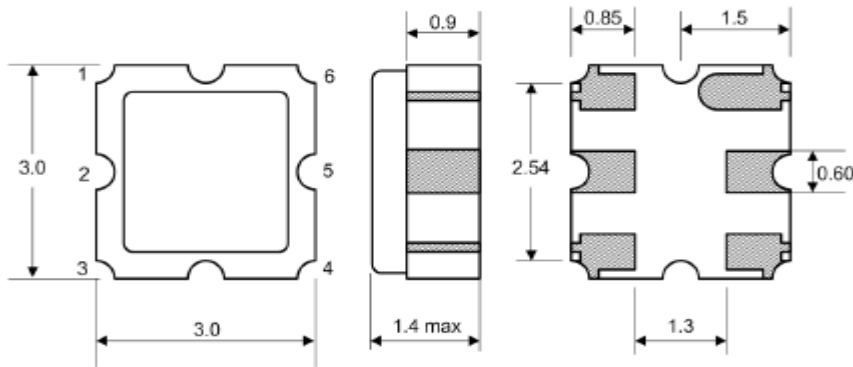
1. Part Number: SF0915010 RoHS COMPLIANT

Index	Unit	Min	Typical	Max
Center Frequency Fc	MHz	-	915.00	-
Insertion Loss IL	dB	-	3.0	4.0
bandwidth	MHz	-	10	-
Amplitude Ripple	dB	-	0.8	2.0
Attenuation (Reference level from 0 dB)				
880 ~ 890 MHz	dB	40	52	-
940 ~ 950 MHz	dB	35	40	-
950 ~ 1200 MHz	dB	43	48	-
1200 ~ 1600 MHz	dB	40	48	-
1600 ~ 2200 MHz	dB	30	43	-
2200 ~ 2500 MHz	dB	25	35	-
Package	mm	3.0 × 3.0 × 1.4		

2. Electrical Specifications:



3. Mechanical Package:



Marking:
SF0915

4. Plots:

