

SPECIFICATION

COMMERCIALY AVAILABLE

ITEM: SAW FILTER
PART NUMBER: SF0070007

Revised per ECO 4413: Added square corner orientation note.
Revised per ECO 4455: Smaller mechanical package.

ISSUED / REVISION	ENGINEER APPROVED	DOCUMENT CHECKED	DRAFTSMAN
6/18/10 kn	6/24/2010 SRJ	6/24/2010 BF	6/24/2010 GIL
01/25/2013 GL	01/25/2013 TFG	01/25/2013 TFG	01/25/2013 GL
03/04/2013 GL	03/04/2013 TFG	03/04/2013 TFG	03/04/2013 GL

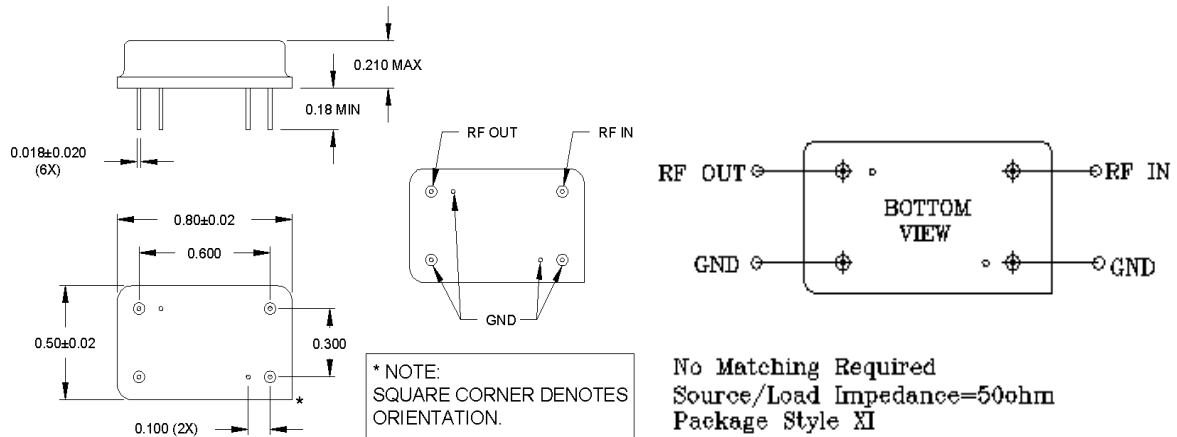
FILTRONETICS Inc

1. Electrical Specifications:

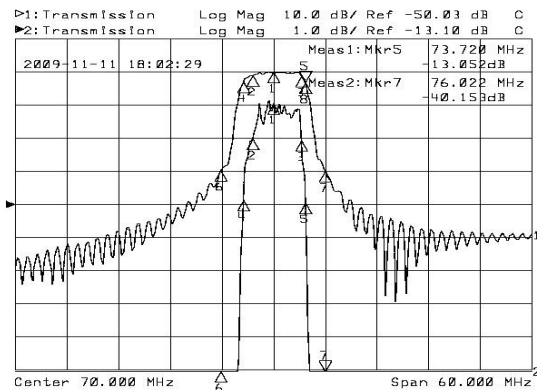
Parameter	Unit	Minimum	Typical	Maximum
Center Frequency	MHz	69.90	70.00	70.10
Insertion Loss at F0	dB		10.00	10.50
1 dB Bandwidth	MHz	5.60	5.70	
3 dB Bandwidth	MHz	7.20	7.30	
30dB Bandwidth	MHz		12.10	12.25
Passband Variation	dB		0.50	0.70
Group Delay Variation	nSec		50	80
Absolute Delay	µSec		0.85	
Ultimate Rejection	dB	35	40	50
Substrate Material			128-LiNbO3	
Ambient Temperature	°C	-40	25	80

Marking:
SF0070007
Date Code

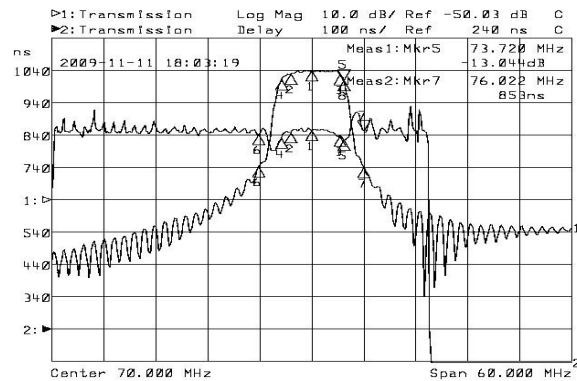
2. Dimension:



3. Typical Performance:



Horizontal: 6MHz/Div
Vertical: 1dB/Div&10dB/Div



Horizontal: 6MHz/Div
Vertical: 100nsec/Div&10dB/Div