

SPECIFICATION

COMMERCIALY AVAILABLE

ITEM: SAW BP
PART NUMBER: SF0070003B
RoHS

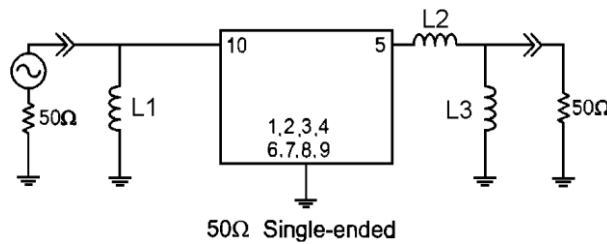
ISSUED / REVISION	ENGINEER APPROVED	DOCUMENT CHECKED	DRAFTSMAN
12/27/12 kn	03/29/2013 TFG	03/29/2013 TFG	03/29/2013 GL

FILTRONETICS Inc

1. Electrical Specifications:

Parameter	Unit	Min.	Typ.	Max.
Center Frequency	MHz	69.88	70.00	70.12
Insertion Loss	dB	-	7.90	9.00
1dB Bandwidth	MHz	2.00	2.24	-
3dB Bandwidth	MHz	2.50	2.69	-
40dB Bandwidth	MHz	-	4.40	5.00
Passband Ripple	dB	-	0.45	1.00
Group Delay Variation	nsec	-	100	200
Absolute Delay	µsec	-	2.20	-
Ultimate Attenuation	dB	40	43	-
Substrate Material	-	112-LiTaO ₃		
Temperature Coefficient	ppm/°C	-20		

Matching Configuration



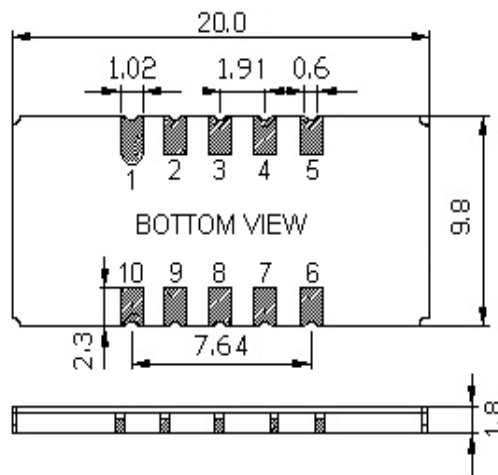
50Ω Single-ended

L1=L2=L3=T.B.D

Source / Load Impedance = 50Ω

Ambient Temperature = 25°C

2. Dimension:



Marking:
SF0070003B
Date Code

10: Input , 1: In-Gnd
5: Output , 6: Out-Gnd
2,3,4,7,8,9: Case Gnd

3. Typical Performance:

