

SPECIFICATION

COMMERCIALLY AVAILABLE

SAW BAND PASS
PART NUMBER: SF0070002D

RoHS

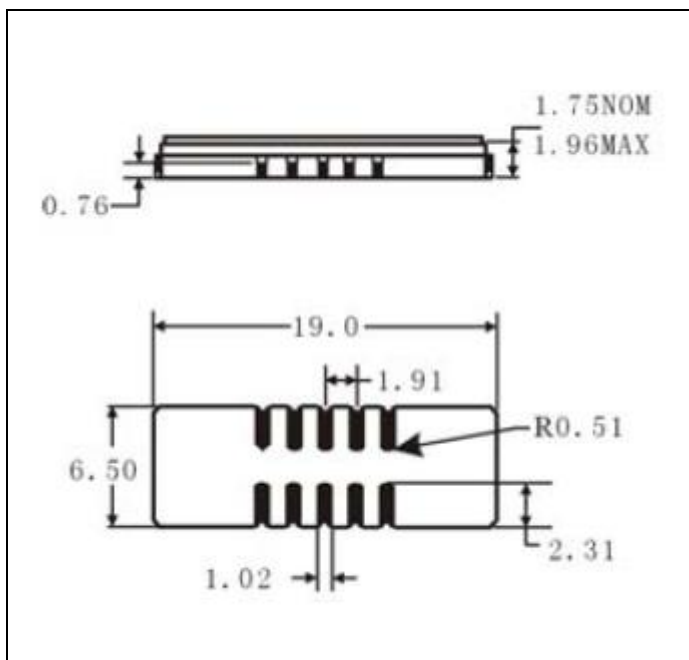
ISSUED / REVISION	ENGINEER APPROVED	DOCUMENT CHECKED	DRAFTSMAN
1/29/18 ^(kn)			

FILTRONETICS Inc

1. Electrical Specifications:

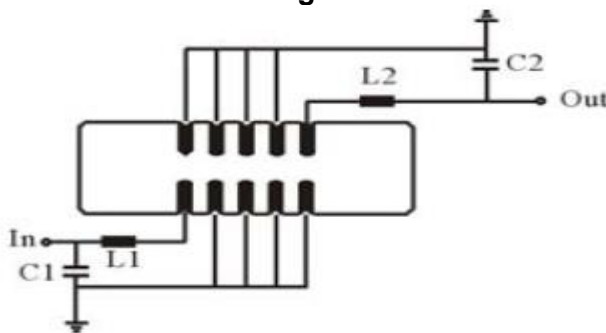
Parameter	Unit	Minimum	Typical	Maximum
Center Frequency	MHz	69.92	70.00	70.08
Insertion Loss at Fo	dB	-	7.50	9.00
1 dB Bandwidth	MHz	1.30	-	-
3 dB Bandwidth	MHz	2.00	-	-
40 dB Bandwidth	MHz	-	-	4.25
Phase Linearity: 69.3 – 70.7 MHz	deg	-	5	8
Group Delay Variation: 69.3 – 70.7 MHz	nsec	-	250	340
Absolute Group Delay	µsec	-	2.19	-
Passband Variation	dB	-	0.70	1.00
Ultimate Rejection	dB	45	50	-
Ambient Temperature	°C	-40	25	80

2. Dimension:



Marking:
SF0070002D
Date Code

Matching Circuit



L1 = , L2 = , C1 = , C2 = TBD after first build
Source / Load Impedance = 50 Ohm

3. Simulation:

