

SPECIFICATION

COMMERCIALY AVAILABLE

SAW BAND PASS
PART NUMBER: SF0070001J

RoHS

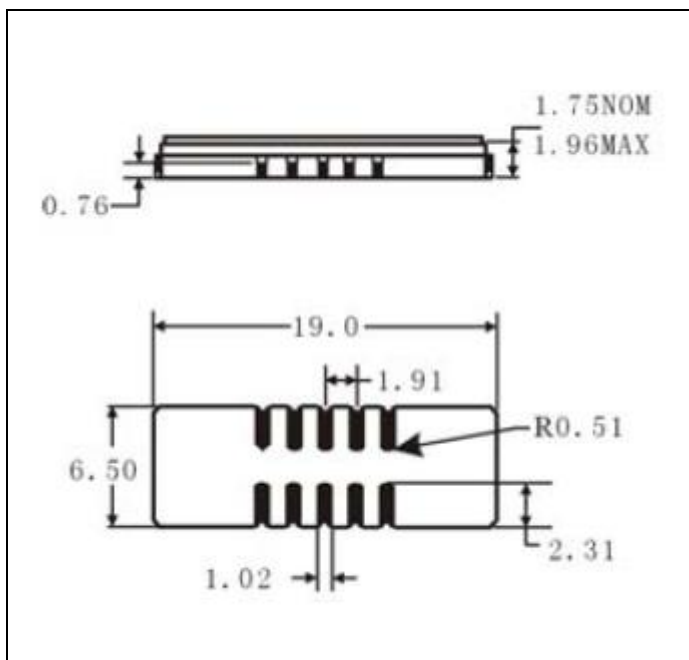
ISSUED / REVISION	ENGINEER APPROVED	DOCUMENT CHECKED	DRAFTSMAN
1/29/18 ^(kn)			

FILTRONETICS Inc

1. Electrical Specifications:

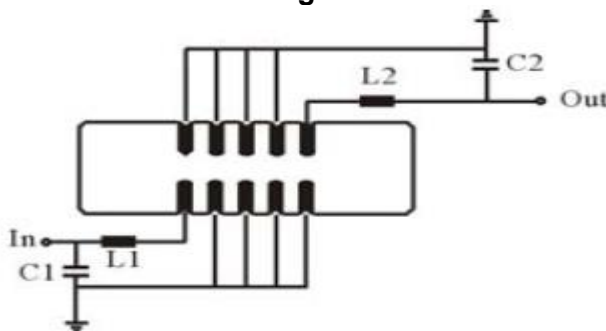
Parameter	Unit	Minimum	Typical	Maximum
Center Frequency	MHz	69.92	70	70.08
Insertion Loss	dB	-	7.2	9.0
1 dB Bandwidth	MHz	0.70	-	-
3 dB Bandwidth	MHz	1.00	-	-
40 dB Bandwidth	MHz	-	-	3.00
Phase Linearity	deg p-p	-	9.0	11.95
Group Delay Variation (60% of 3dB BW)	nsec p-p	-	375	500
Absolute Group Delay	µsec	-	2.0	-
Passband Variation	dB	-	0.7	1.0
Ultimate Rejection	dB	40	42	-
Ambient Temperature	°C	-40	25	80

2. Dimension:



Marking:
SF0070001J
Date Code

Matching Circuit



L1 = , L2 = , C1 = , C2 = TBD after first build
Source / Load Impedance = 50 Ohm

3. Simulation:

