

SPECIFICATION
COMMERCIALY AVAILABLE

ITEM: SAW FILTER
PART NUMBER: SF0070001A
Release Date: May 19, 2009

Prepared By: DS
Revised By:

Revised per ECO 4413: Added square corner orientation note.

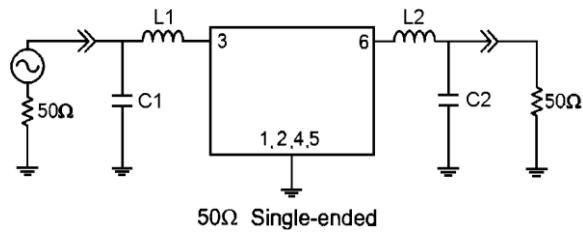
ISSUED	CHECKED	CHECKED	CHECKED	APPROVED
01/25/2013 GL	01/25/2013 TFG	01/25/2013 GL	01/25/2013 TFG	01/25/2013 TFG

FILTRONETICS Inc

1. Electrical Specifications:

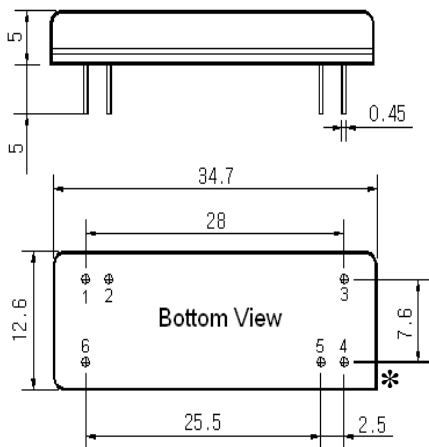
Parameter	Unit	Min.	Typ.	Max.
Center Frequency	MHz	69.90	70.00	70.10
Insertion Loss	dB	-	22.00	25.00
1dB Bandwidth	MHz	-	0.96	-
3dB Bandwidth	MHz	1.00	1.08	-
50dB Bandwidth	MHz	-	1.64	1.80
Pass band Ripple	dB	-	0.45	1.00
Group Delay Variation	nsec	-	180	250
Absolute Delay	µsec	-	4.64	-
Ultimate Attenuation	dB	48	52	
Substrate Material	-	Quartz		
Temperature Coefficient	ppm/°C ²	-0.03		

Matching Configuration



L1=180nH, L2=120nH, C1=130pF, C2 =68pF
 Source / Load Impedance = 50Ω
 Ambient Temperature = 25°C

2. Mechanical Package:



Marking:
Filtronetics, Inc
SF0070001A
Date Code

* Note:
 Square corner denotes orientation.

3. Graphs

Typical Performance

