

SPECIFICATION

COMMERCIALY AVAILABLE

MINI-MONOLITHIC CRYSTAL FILTER
PART NUMBER: MCOHAK
RoHS

12/30/14 Added note about Attenuation

ISSUED / REVISION	ENGINEER APPROVED	DOCUMENT CHECKED	DRAFTSMAN
4/3/07 xx	5/16/2011 SRJ	5/17/2011 BF	
	06/08/2012 TFG		06/08/2012 GL
12/30/14 ^(kn)			

FILTRONETICS Inc

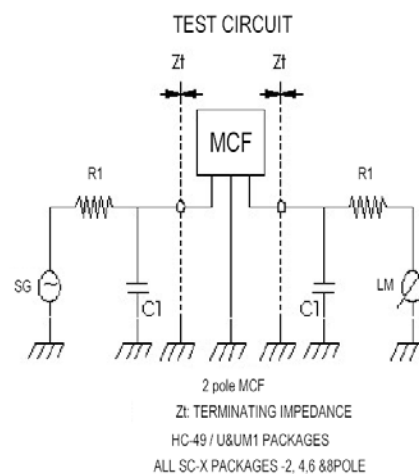
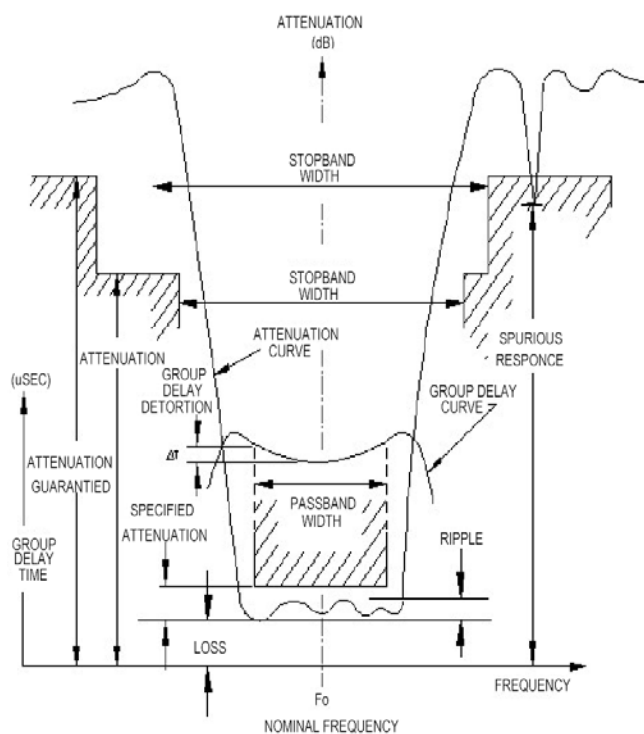
1. Part Number: MCOHAK

2. Electrical Specifications:

Center Frequency (Fo)	130.0 MHz
3 dBc Bandwidth	± 14 KHz Min
15 dBc Stopband	± 50 KHz Min
Ultimate Attenuation	-910 KHz 65 dBc Min
Ripple	1.0 dB Max
Insertion Loss	3.5 dB Max
Termination Impedance	740Ω // 1.2 pF
Number of poles	2
Operating Temperature	-40 to +70°C
Packaging	Tape and Reel

*Attenuation excludes Spurious Response unless otherwise noted

MEASUREMENT DEFINITIONS



3. Mechanical Package:

