

SPECIFICATION

COMMERCIALY AVAILABLE

MINI-MONOLITHIC CRYSTAL FILTER
PART NUMBER: MC5SAJ

RoHS

12/30/14 Added note about Attenuation

ISSUED / REVISION	ENGINEER APPROVED	DOCUMENT CHECKED	DRAFTSMAN
5/18/2006 XX			
12/30/14 ^(kn)			

FILTRONETICS Inc

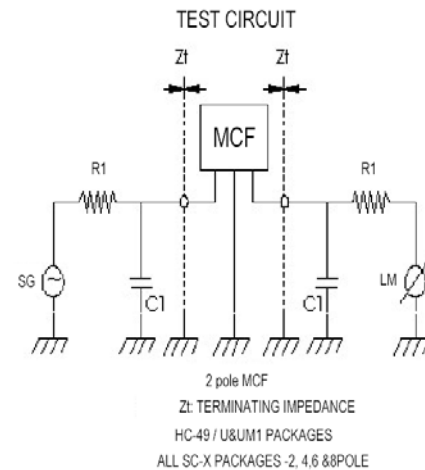
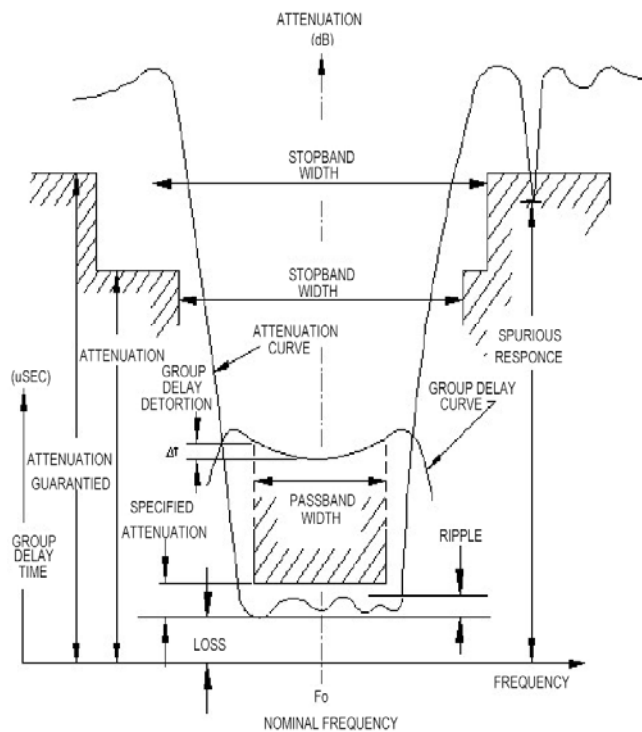
1. Part Number: MC5SAJ

2. Electrical Specifications:

Center Frequency (Fo)	125.0 MHz
3 dBc Bandwidth	± 3.5 KHz Max
15 dBc Bandwidth	± 15 KHz Max
Ripple	1.0 dB Max
Insertion Loss	7.0 dB Max
Termination Impedance	1000 ohms // 1.5 pf ±2.0 pf
Number of poles	2
Operating Temperature	TBD

*Attenuation excludes Spurious Response unless otherwise noted

MEASUREMENT DEFINITIONS



3. Mechanical Package: Case Code J

