

SPECIFICATION

COMMERCIALY AVAILABLE

ITEM: MONOLITHIC CRYSTAL FILTER

PART NUMBER: M70ABI

RoHs

ISSUED / REVISION	ENGINEER APPROVED	DOCUMENT CHECKED	DRAFTSMAN
1/15/13 DS	06/07/2013 TFG		06/07/2013 GL

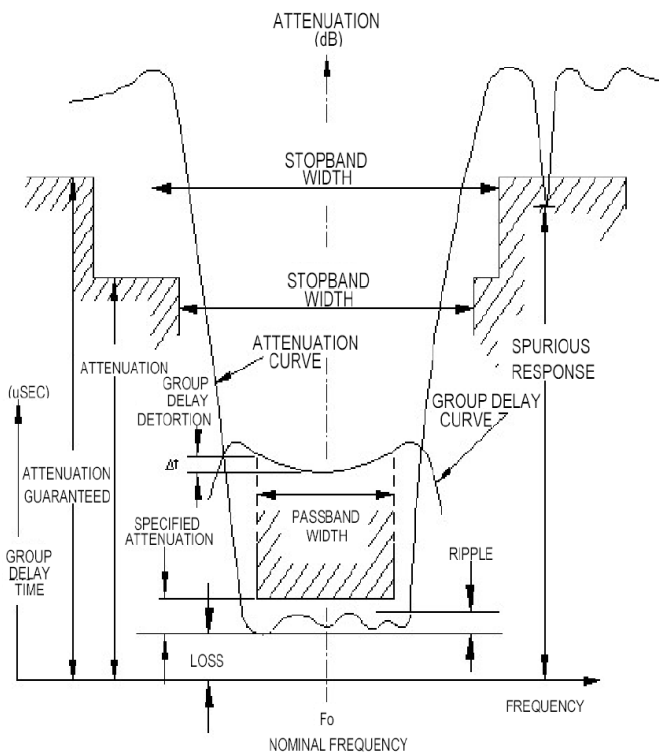
FILTRONETICS Inc

1. Part Number: M70ABI

2. Electrical Specifications:

Center Frequency (Fo)	70.000MHz
3dBc Pass Bandwidth	±3.75 KHz Min
30dBc Stop Bandwidth	± 12.5 KHz Max
Attenuation	75 dB Min (Fo-1000KHz~-200KHz) 70 dB Min (Fo+500KHz~+1000KHz)
Ripple	1.0dB max
Insertion Loss	4.0dB Max
Termination Impedance	1800Ω (±10%) //0.0pF (±1.0pF) Cc=0.5pF (±1.0pF)
Number of poles	4 poles, 3 rd overtone
Operating Temperature	-20 to +70°C

MEASUREMENT DEFINITIONS



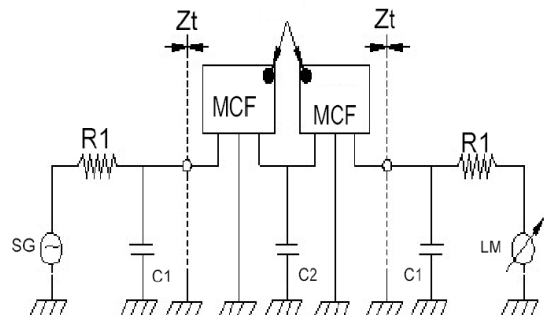
R1 = TERMINATING RESISTANCE
 C1 = TERMINATING CAPACITANCE
 C2 = JUNCTION CAPACITANCE
 CONSULT FACTORY FOR
 ALTERNATE LOADING CIRCUITS

4 pole MCF

Zt: TERMINATING IMPEDANCE

HC-49 / U & UM- PACKAGES

TEST CIRCUIT
 COLORED
 DOT



3. Mechanical package style: (2x for 4 pole)

CASE UM-__

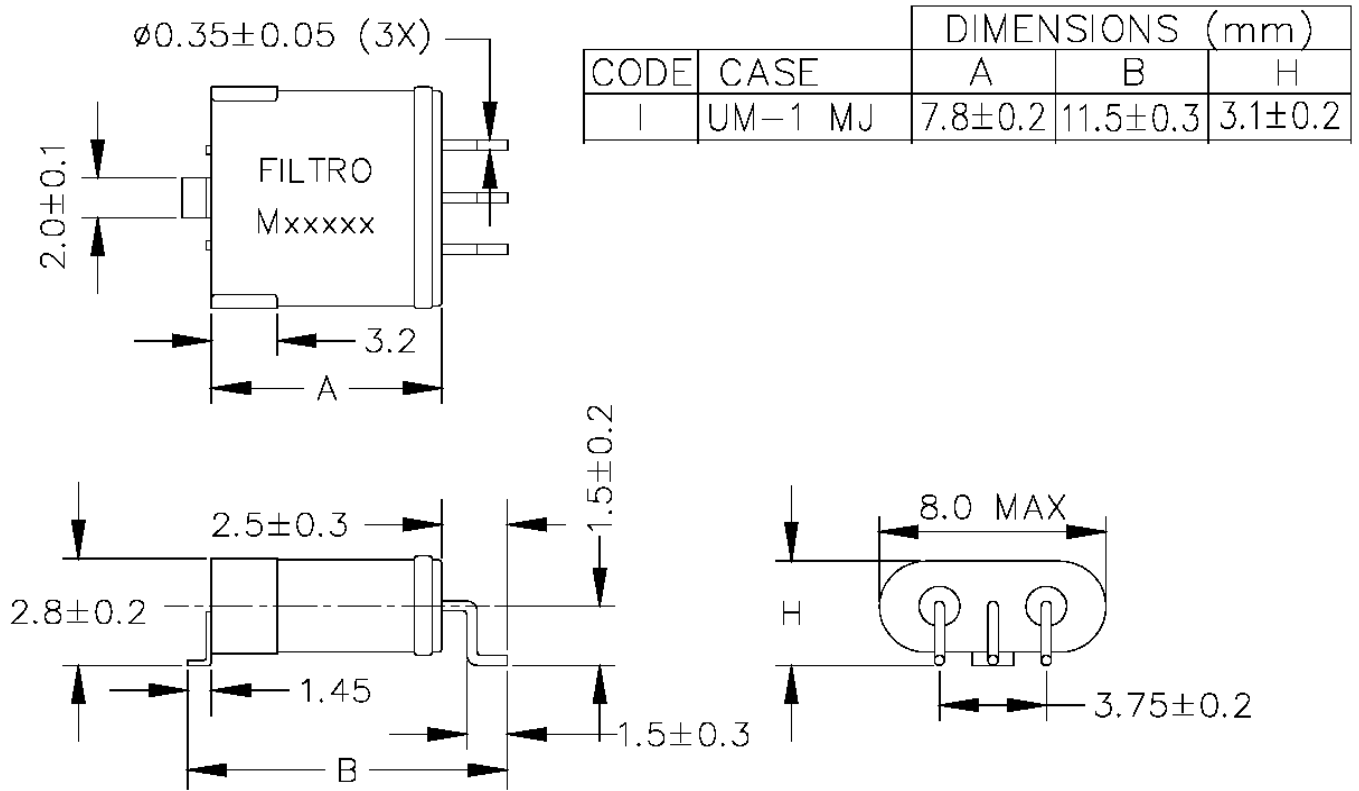


FIGURE M2 CASE UM SMD STYLE