

SPECIFICATION

COMMERCIALLY AVAILABLE

ITEM: MONOLITHIC CRYSTAL FILTER
PART NUMBER: M70ABC

Revision Made:

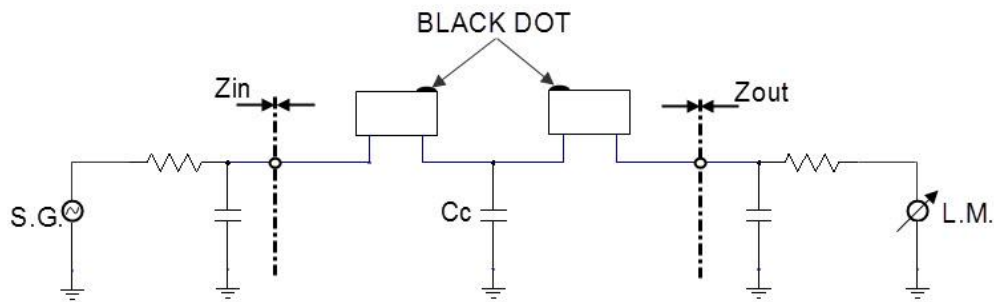
ISSUED / REVISION	ENGINEER APPROVED	DOCUMENT CHECKED	DRAFTSMAN
8/30/10 PM	8/30/2010 SRJ		
	02/19/2014 TFG		02/19/2014 GL

FILTRONETICS Inc

1. Part Number: M70ABC

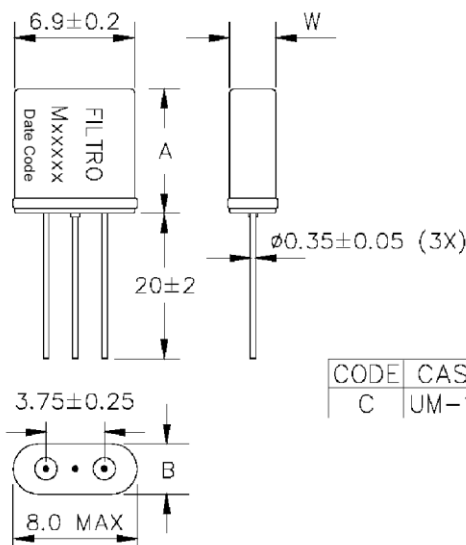
2. Electrical Specifications:

Center Frequency (Fo):	70 MHz
3 dB Passband:	± 3.75 KHz Min
30 dB Stopband:	± 12.5 KHz Max
Ripple:	1.0 dB Max
Ultimate Attenuation:	70 dB (Fo+500 KHz to Fo +1000 KHz) 75 dB (Fo-200 KHz to Fo-1000 KHz)
Insertion Loss:	4.0 dB Max
Termination Impedance:	1800Ω (±10%) //0.0pF (±1.0pF) Cc=0.5pF (±1.0pF)
Number of poles:	4
Package:	UM-1
	Matched Set
Operating Temperature:	-20 to +70°C



3. Mechanical Package:

CASE UM-__



		DIMENSIONS (mm)		
CODE	CASE	A	B	W
C	UM-1	8.0 MAX	3.0±0.2	2.2±0.2