

SPECIFICATION

COMMERCIALLY AVAILABLE

ITEM: MONOLITHIC CRYSTAL FILTER

PART NUMBER: M70AAH

RoHS Compliant

| ISSUED / REVISION | ENGINEER APPROVED | DOCUMENT CHECKED | DRAFTSMAN |
|-------------------|-------------------|------------------|---------------|
| 12/19/11 DS | 12/21/2011 TFG | | 12/21/2011 GL |
| | | | |

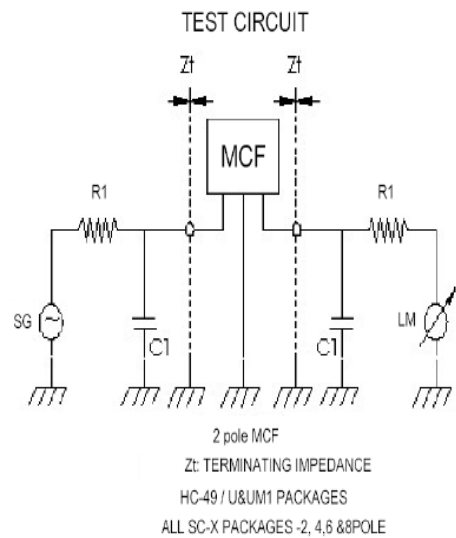
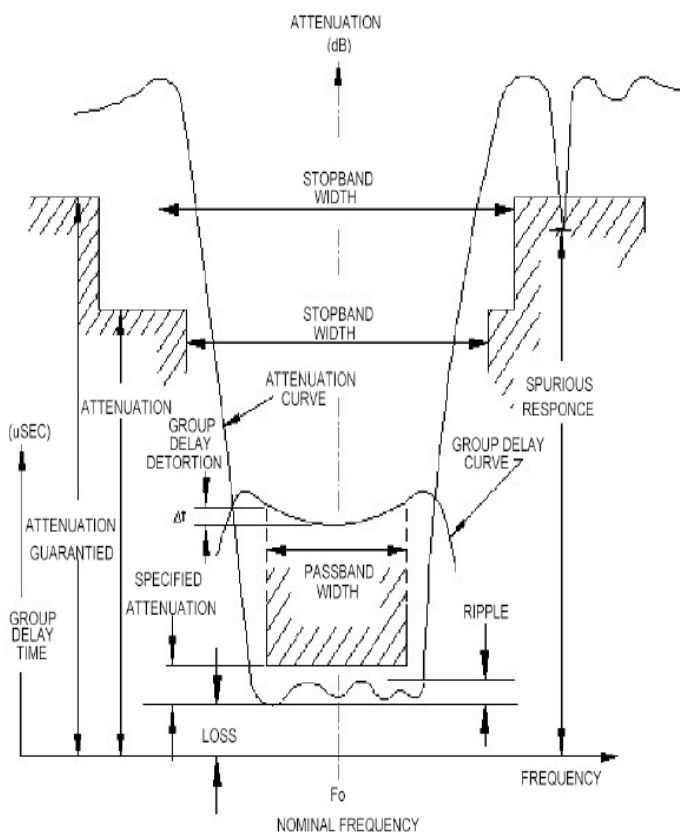
FILTRONETICS Inc

1. Part Number: M70AAH

2. Electrical Specifications: 70 MHz, 2 pole crystal filter

| | |
|---|----------------|
| Center Frequency (Fo) | 70.00 MHz |
| 3 dBc Bandwidth: | ± 3.75 KHz Min |
| 10 dBc Stopband: | ± 12.5 KHz Min |
| Ultimate Attenuation: (Fo±KHz) +500 to +1000 (Fo±KHz) -200 to -1000 | 35dB 35dB |
| Ripple | 1.0 dB Max |
| Insertion Loss | 2.0 dB Max |
| Termination Impedance Zt (Z//pF): | 2000//0 |
| Number of poles | 2 |
| RoHS Compliant | Yes |

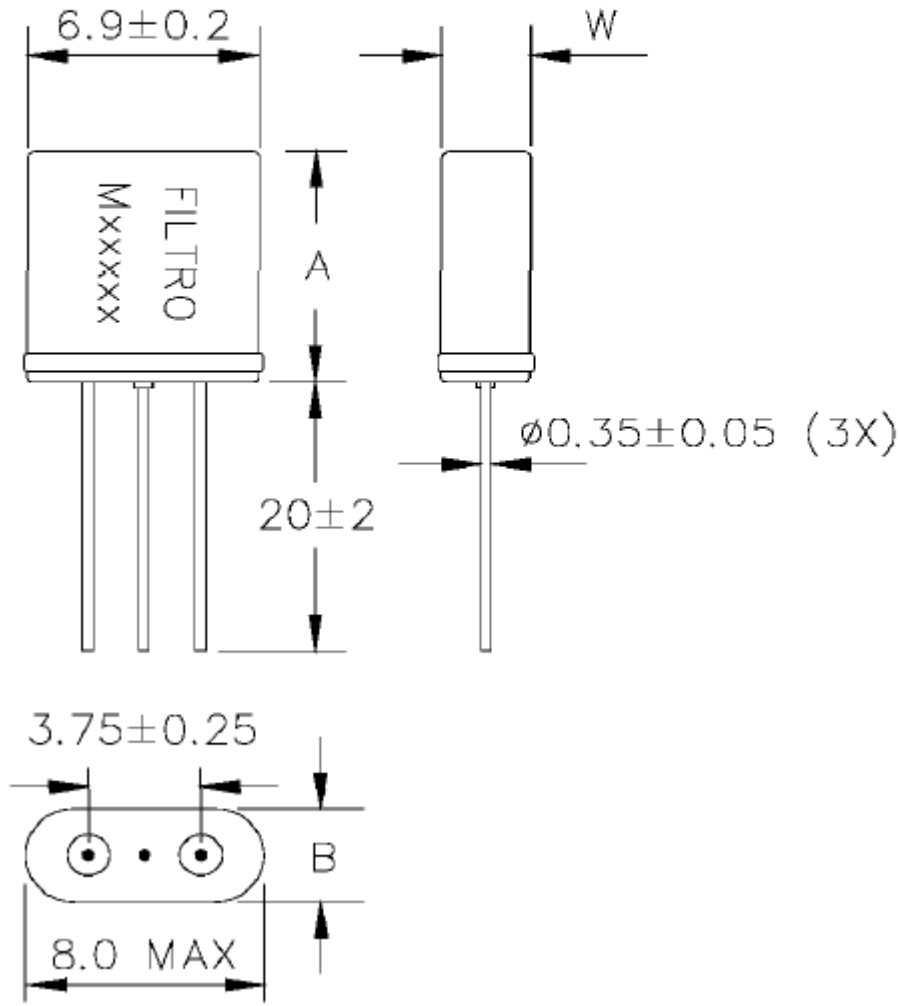
MEASUREMENT DEFINITIONS



3. Mechanical Package:

Marking:
M70AAH

CASE UM—__



| DIMENSIONS (mm) | | |
|-----------------|-------|---------|
| CODE | CASE | A |
| H | UM-4S | 4.5 Max |

FIGURE M4 CASE UM