

SPECIFICATION

COMMERCIALY AVAILABLE

MONOLITHIC CRYSTAL FILTER
PART NUMBER: M45AGC
RoHs

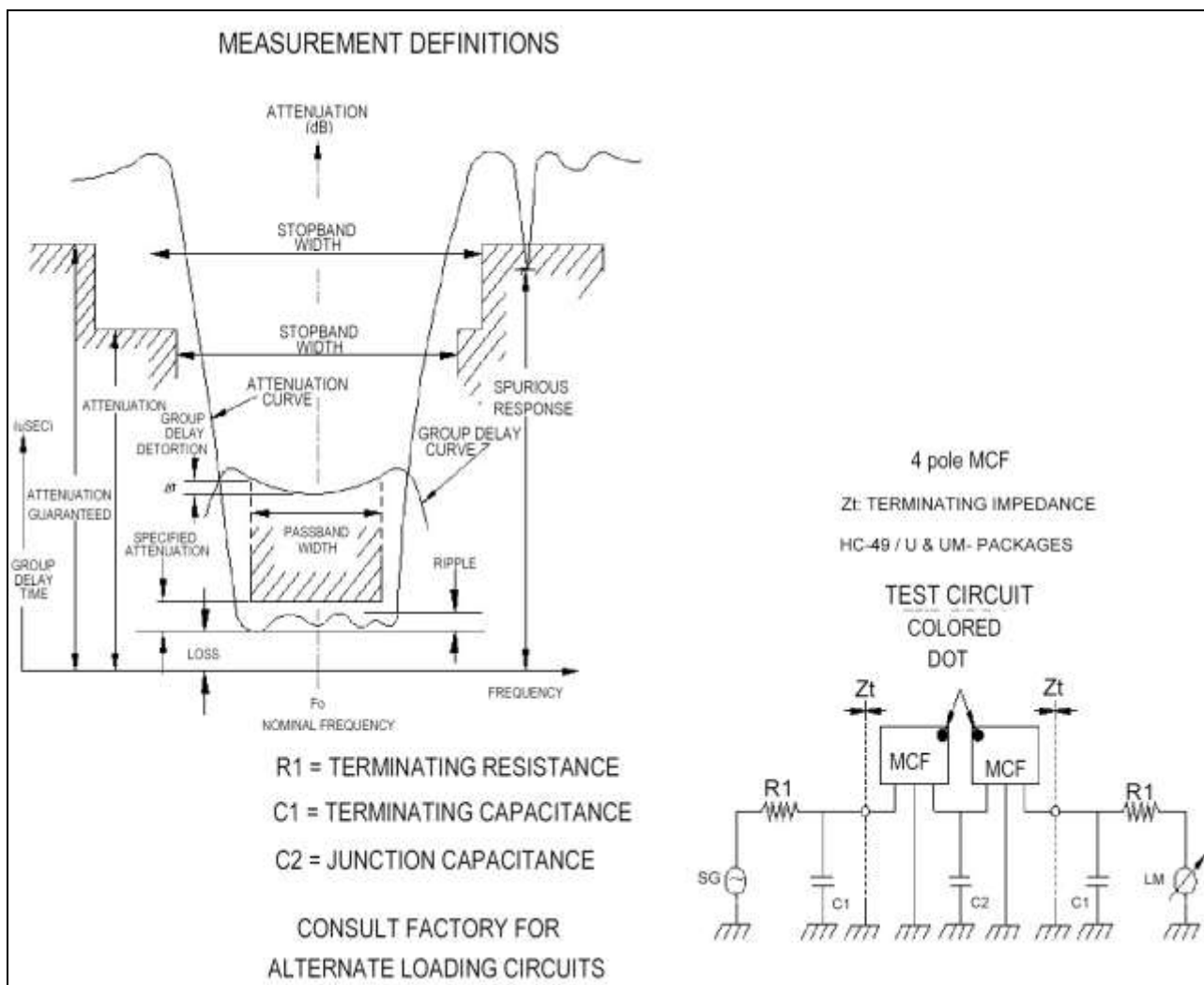
ISSUED / REVISION	ENGINEER APPROVED	DOCUMENT CHECKED	DRAFTSMAN
5/10/17 ^(kn)			

FILTRONETICS Inc

1. Part Number: M45AGC

2. Electrical Specifications:

Center Frequency (Fo):	45MHz	
3 dB Bandwidth:	± 3.75 KHz Min	
30 dB Bandwidth:	± 12.5 KHz Min	
Ultimate Attenuation: At 900 KHz	75 dB	
Ripple:	1.0 dB Max	
Insertion Loss:	4.0 dB Max	
Termination Impedance:	Zt (Z // pF)	C2 (pF)
	3000 // -0.3	-0.1
Number of poles:	4	
RoHs:	Yes	



3. Mechanical Package:

