

SPECIFICATION
COMMERCIALY AVAILABLE

ITEM: MONOLITHIC CRYSTAL FILTER
 PART NUMBER: M21AFG
 RoHs

ISSUED / REVISION	ENGINEER APPROVED	DOCUMENT CHECKED	DRAFTSMAN
12/31/13 ^(kn)	01/06/2014 TFG		01/06/2014 GL

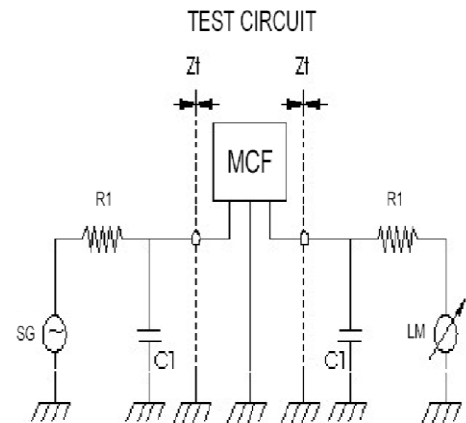
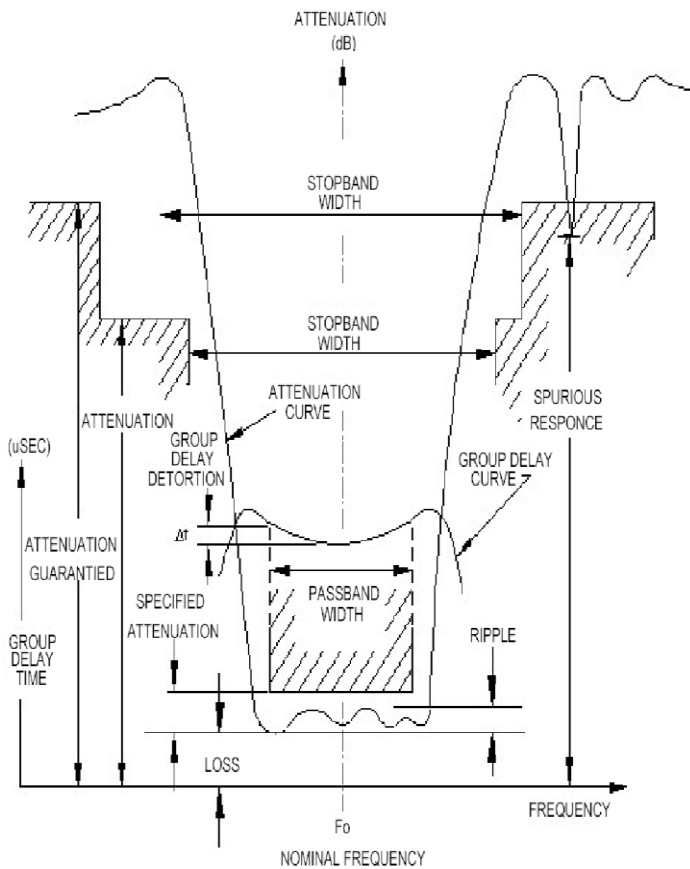
FILTRONETICS Inc

1. Part Number: M21AFG

2. Electrical Specifications:

Center Frequency (Fo):	21.4MHz
3 dBc Bandwidth:	± 3.75 KHz Min
20dBc Stopband:	± 18 KHz Max
Ultimate Attenuation: (Fo±KHz) +350 to+1000 (Fo±KHz) -200 to -1000	35dB 50dB
Ripple:	0.5dB max
Insertion Loss:	2.0dB Max
Termination Impedance Zt (Z//pF):	850Ω//6.0pF
Number of poles:	2
RoHS Compliant:	Yes

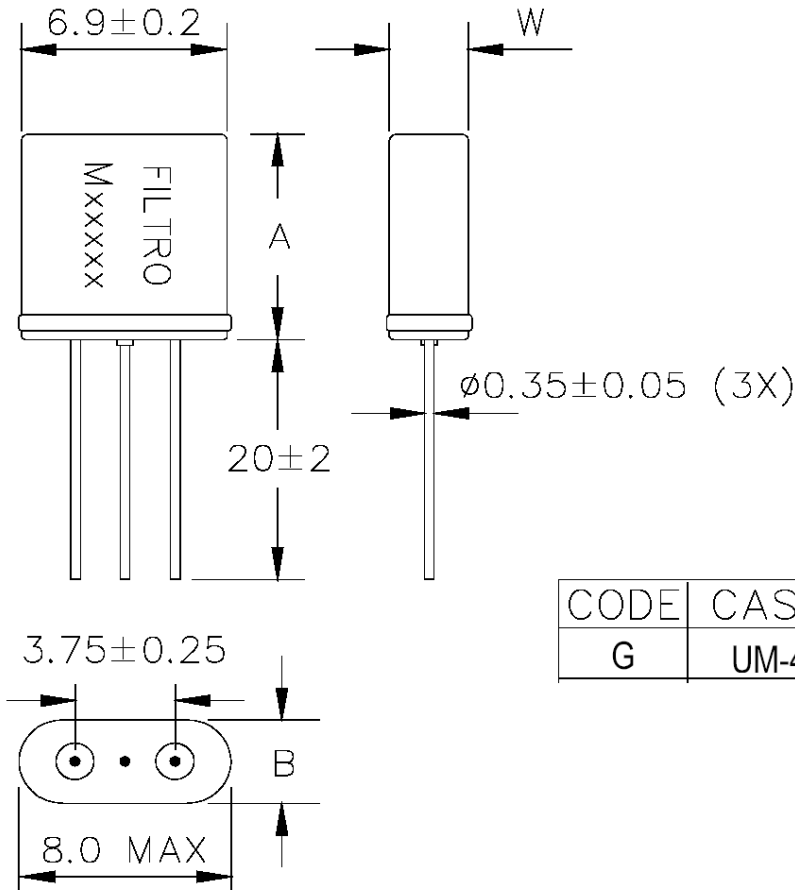
MEASUREMENT DEFINITIONS



2 pole MCF
 Z_t : TERMINATING IMPEDANCE
 HC-49 / U&UM1 PACKAGES
 ALL SC-X PACKAGES - 2, 4, 6 & 8 POLE

3. Mechanical Package:

CASE UM—__



		DIMENSIONS (mm)		
CODE	CASE	A	B	W
G	UM-4	4.5 MAX	3.0±0.2	2.2±0.2

FIGURE M4 CASE UM