

SPECIFICATION
COMMERCIALY AVAILABLE

ITEM: MONOLITHIC CRYSTAL FILTER
PART NUMBER: M20JAD
RoHs

ISSUED / REVISION	ENGINEER APPROVED	DOCUMENT CHECKED	DRAFTSMAN
5/13/11 PM	06/14/2012 TFG		06/14/2012 GL
5/3/13 ^(kn)	01/06/2014 TFG		01/06/2014 GL

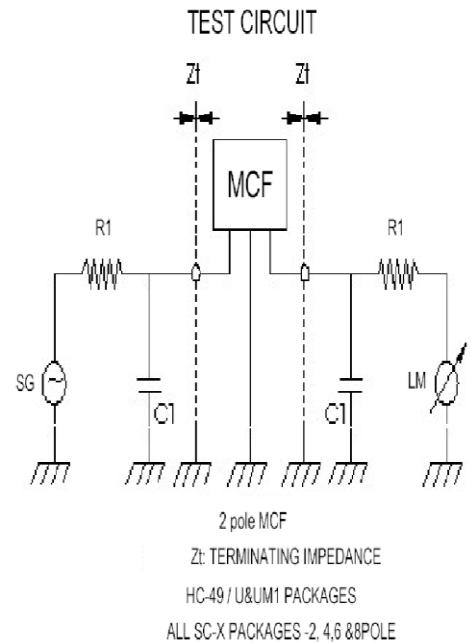
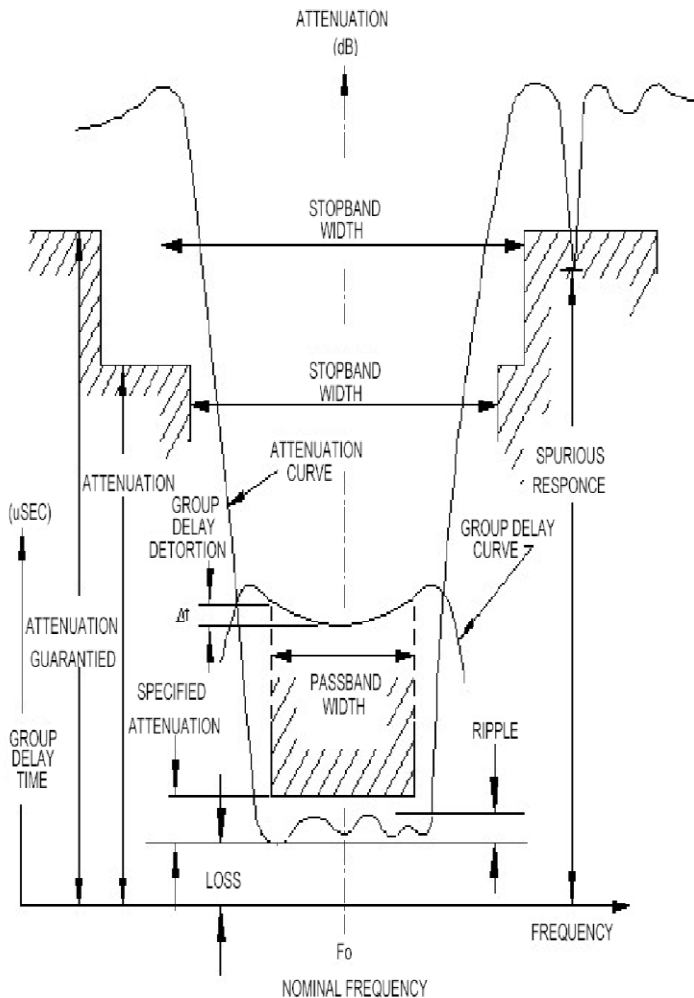
FILTRONETICS Inc

1. Part Number: M20JAD

2. Electrical Specifications:

Center Frequency (Fo)	20.0MHz
3 dB Band Width:	±15KHz Min
Insertion Loss:	1.5dB Max
Pass Band Ripple:	0.5dB Max
15 dB Stop Band:	±45KHz Max
Input Power	0dBm Max
Terminating Impedance Zt (Z//pF):	1500Ω//1.0pf
Poles:	2
RoHS Compliant:	Yes

MEASUREMENT DEFINITIONS



3. Mechanical Package Style:

CASE UM—_

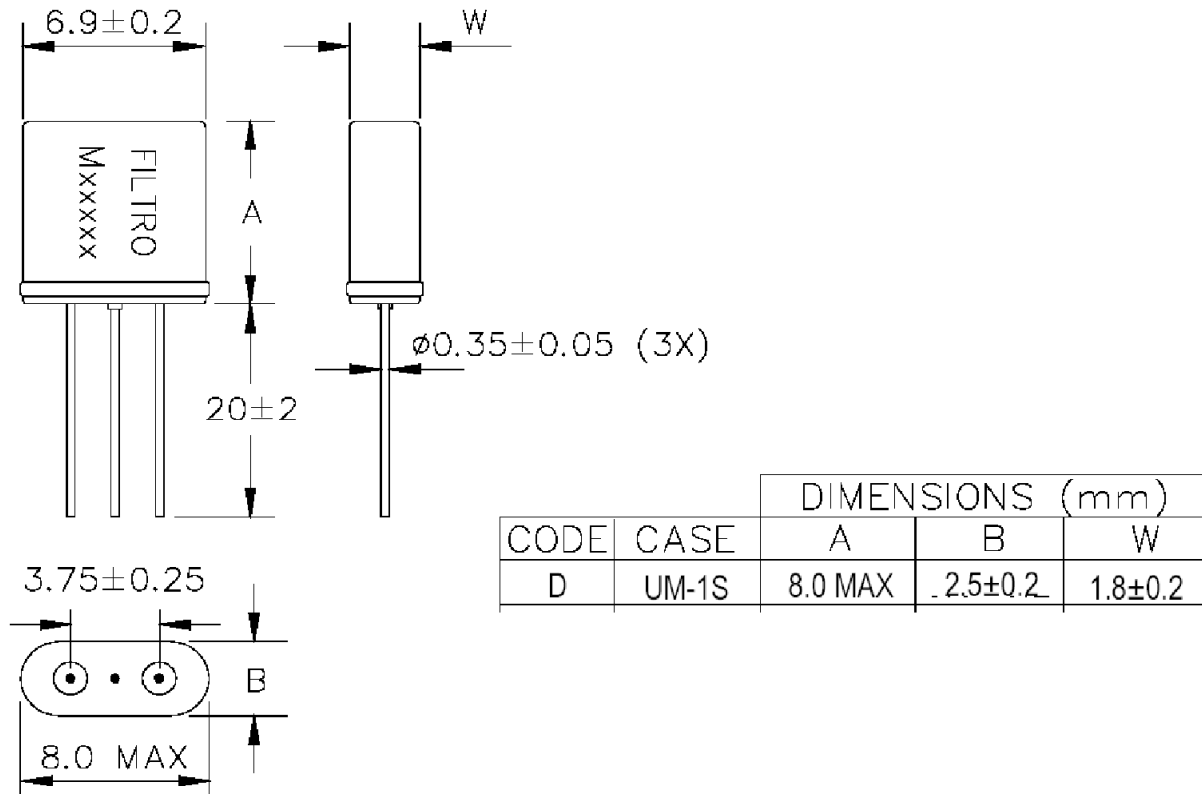


FIGURE M4 CASE UM