

SPECIFICATION

COMMERCIALLY AVAILABLE

MONOLITHIC CRYSTAL FILTER

PART NUMBER: M16FBB

RoHs

ISSUED / REVISION	ENGINEER APPROVED	DOCUMENT CHECKED	DRAFTSMAN
10/30/12 kn	12/07/2012 TFG		12/07/2012 GL

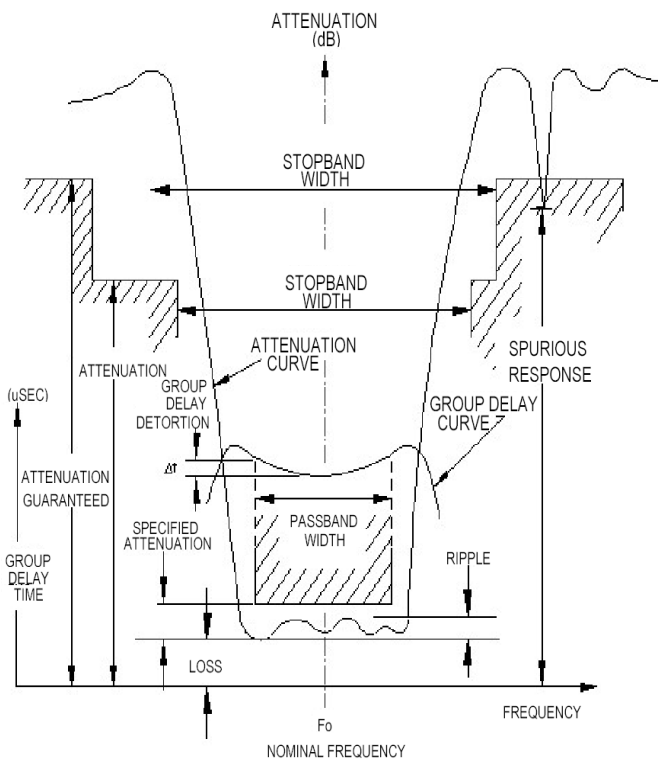
FILTRONETICS Inc

1. Part Number: M16FBB

2. Electrical Specifications:

Center Frequency (Fo):		16.9MHz
3dB Pass Band:		±7.5KHz Min
40dB Stop Band:		±25KHz Max
Ultimate Attenuation:	From Fo +350 KHz to Fo +1000 KHz	50dB
	From Fo -200 KHz to Fo -1000 KHz	70dB
Ripple:		1.0dB Max
Insertion Loss:		2.5dB Max
Terminating Impedance:		Zt (Z //pF)
		1800//1.5
Number of poles:		4

MEASUREMENT DEFINITIONS



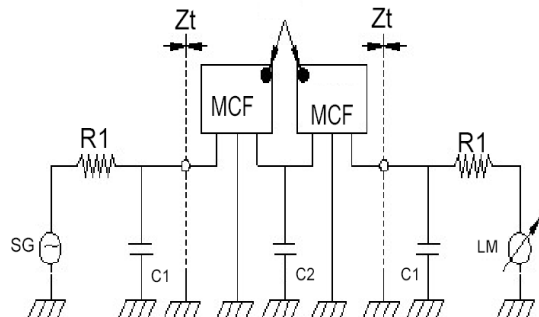
R1 = TERMINATING RESISTANCE
 C1 = TERMINATING CAPACITANCE
 C2 = JUNCTION CAPACITANCE
 CONSULT FACTORY FOR
 ALTERNATE LOADING CIRCUITS

4 pole MCF

Zt: TERMINATING IMPEDANCE

HC-49 / U & UM- PACKAGES

TEST CIRCUIT
 COLORED
 DOT



3. Mechanical Package: (2x for 4 pole)

CASE HC—__

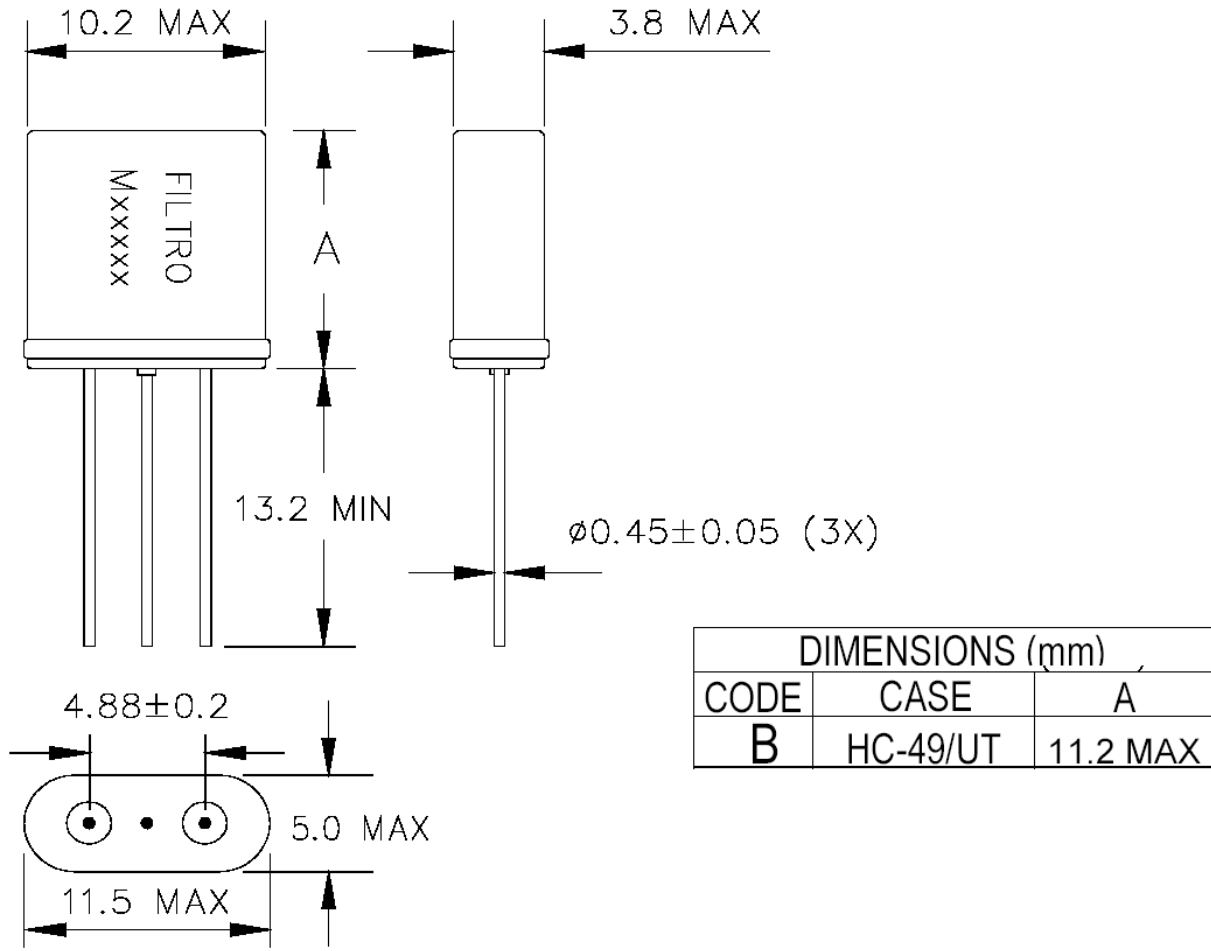


FIGURE M1 CASE HC