

SPECIFICATION

COMMERCIALY AVAILABLE

ITEM: MONOLITHIC CRYSTAL FILTER

PART NUMBER: M10JD4

RoHs Compliant

ISSUED / REVISION	ENGINEER APPROVED	DOCUMENT CHECKED	DRAFTSMAN
5/13/11 PM	10/13/11 TFG		10/13/11 GL

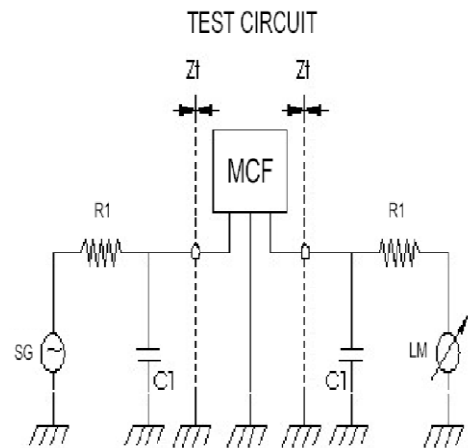
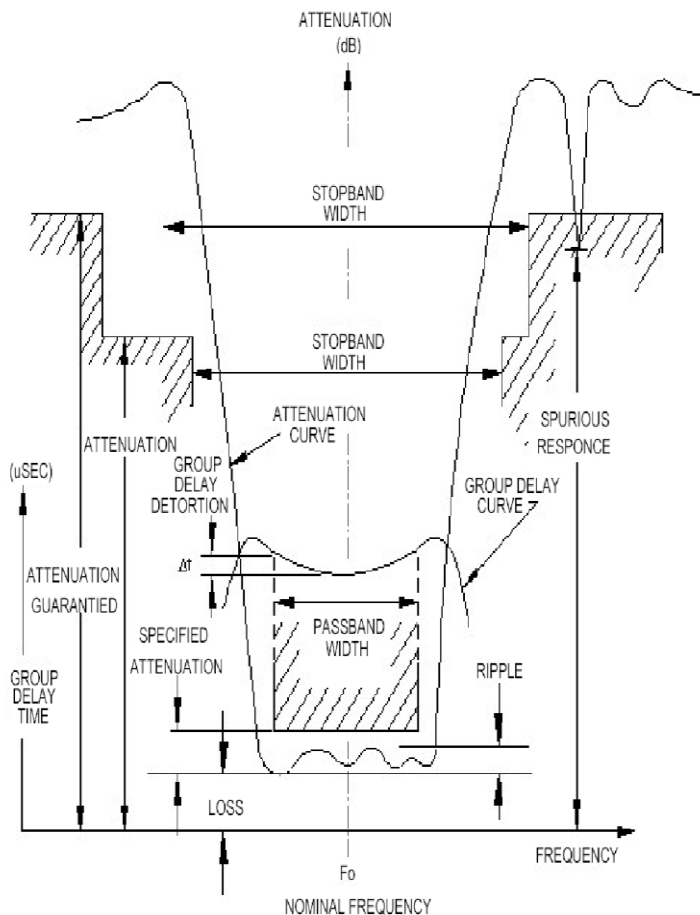
FILTRONETICS Inc

1. Part Number: M10JD4

2. Electrical Specifications:

Center Frequency (Fo)	10.7MHz
6 dB Band Width:	±15KHz Min
Insertion Loss:	3.5dB Max
Pass Band Ripple:	2.0dB Max
60 dB Stop Band:	±30KHz Max
Ultimate Attenuation: ±40.0KHz to ±300KHz	80dB Min
Input Power	0dBm Max
Impedance:	5500Ω//1.0pf
Poles:	8
RoHS Compliant:	Yes

MEASUREMENT DEFINITIONS



2 pole MCF
 Z_t : TERMINATING IMPEDANCE
 HC-49 / U&UM1 PACKAGES
 ALL SC-X PACKAGES -2, 4,6 &8POLE

3. Mechanical Package Style:

CASE SC—

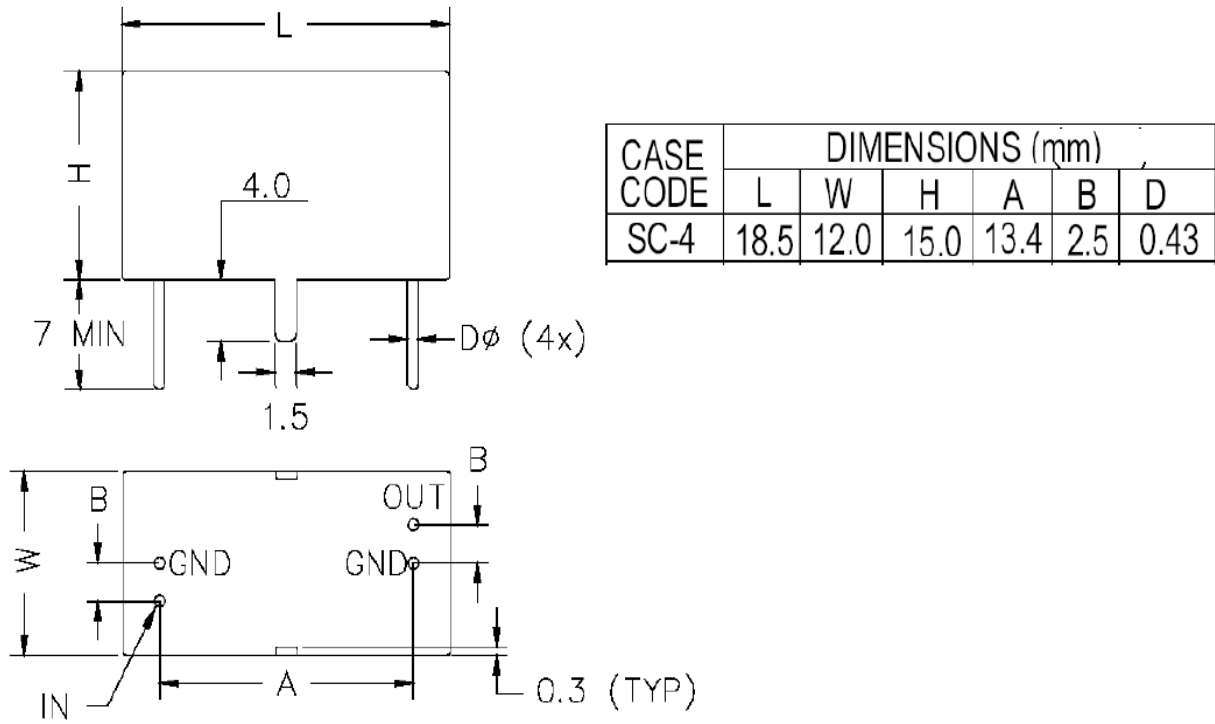


FIGURE M3 CASE SC