

SPECIFICATION

COMMERCIALY AVAILABLE

ITEM: MONOLITHIC CRYSTAL FILTER

PART NUMBER: M10JC3

RoHs Compliant

| ISSUED / REVISION | ENGINEER APPROVED | DOCUMENT CHECKED | DRAFTSMAN |
|-------------------|-------------------|------------------|-------------|
| 5/13/11 PM | 10/13/11 TFG | | 10/13/11 GL |
| | | | |
| | | | |

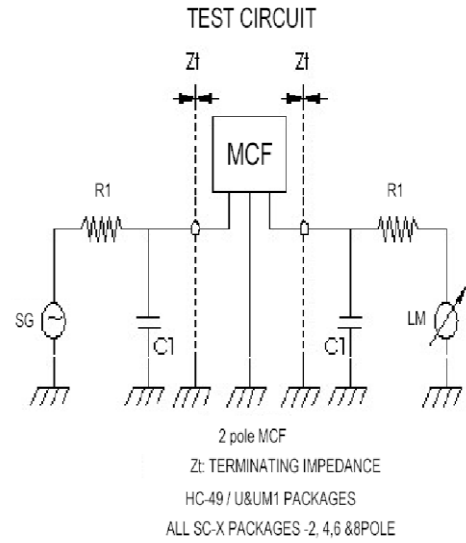
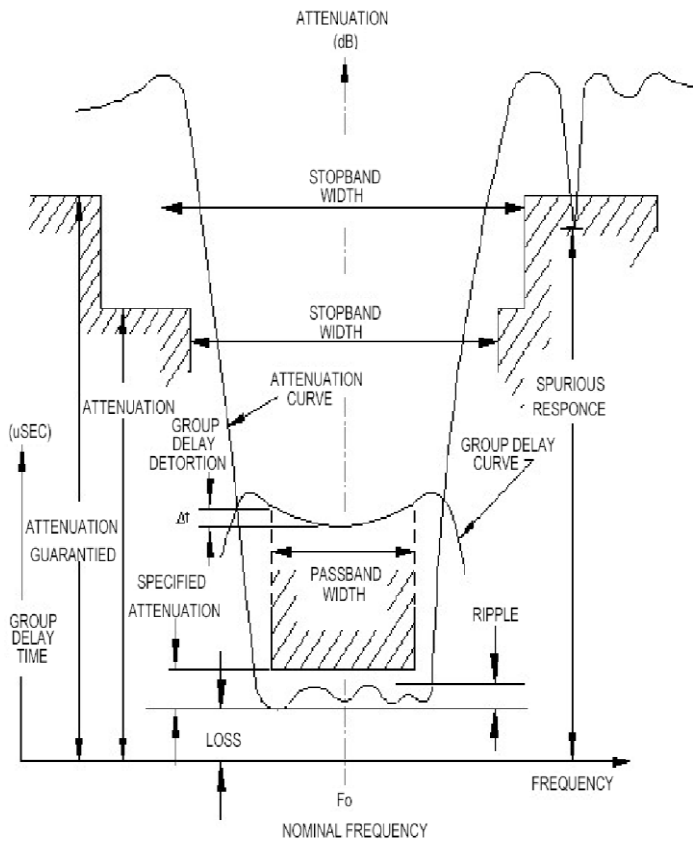
FILTRONETICS Inc

1. Part Number: M10JC3

2. Electrical Specifications:

| | |
|--|----------------|
| Center Frequency (Fo) | 10.7MHz |
| 3 dB Band Width: | ±15KHz Min |
| Insertion Loss: | 3.0dB Max |
| Pass Band Ripple: | 2.0dB Max |
| 60 dB Stop Band: | ±45KHz Max |
| Ultimate Attenuation: ±45.0KHz to ±300KHz | 60dB Min |
| Input Power | 0dBm Max |
| Impedance: | 5500Ω// -1.0pf |
| Poles: | 6 |
| RoHS Compliant: | Yes |

MEASUREMENT DEFINITIONS



3. Mechanical Package Style:

CASE SC-__

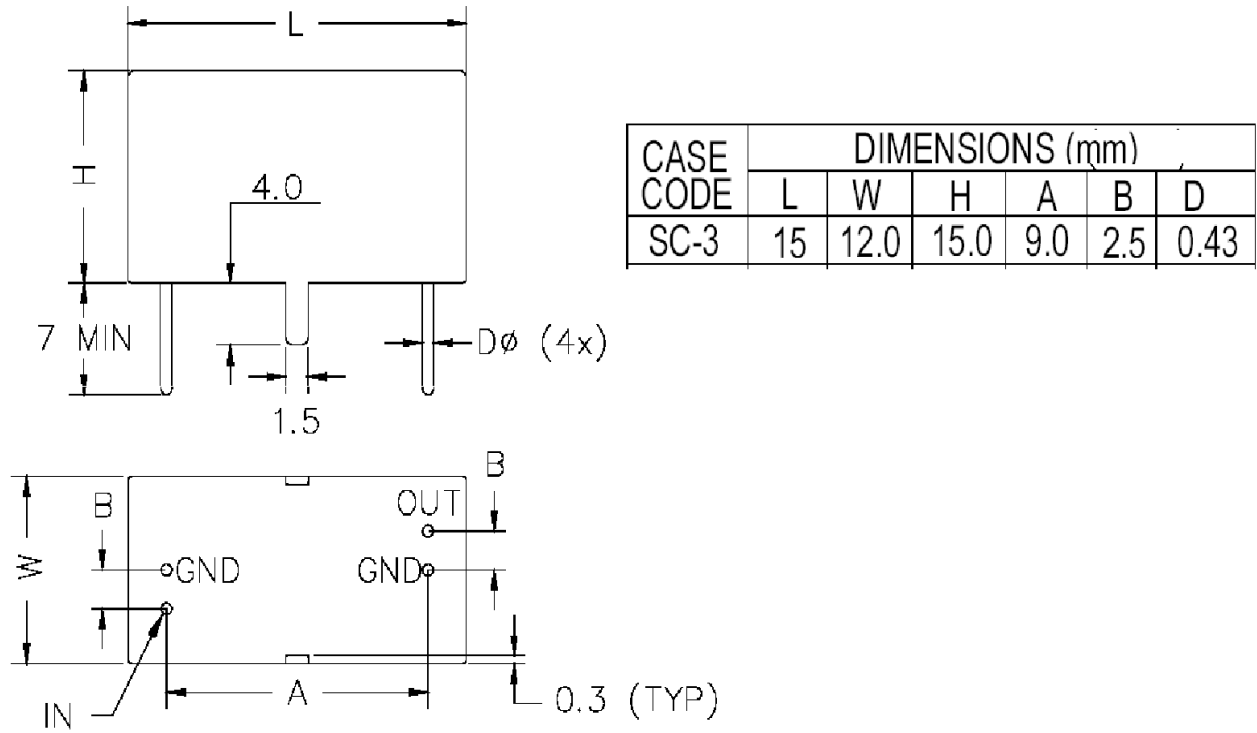


FIGURE M3 CASE SC