

SPECIFICATION

COMMERCIALY AVAILABLE

ITEM: MONOLITHIC CRYSTAL FILTER

PART NUMBER: M10JAA

RoHs Compliant

ISSUED / REVISION	ENGINEER APPROVED	DOCUMENT CHECKED	DRAFTSMAN
5/13/11 PM	10/05/2011 TFG		10/05/2011 GIL

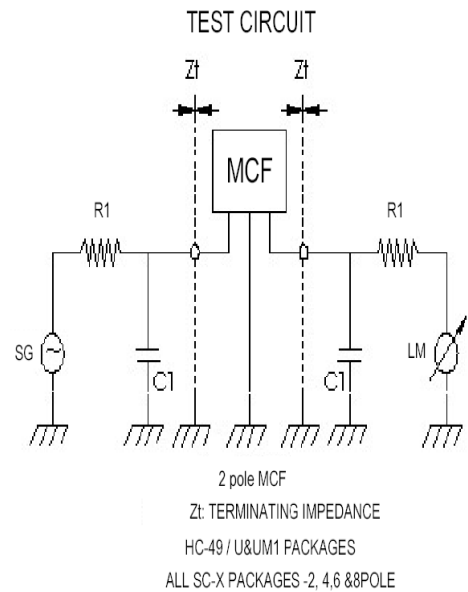
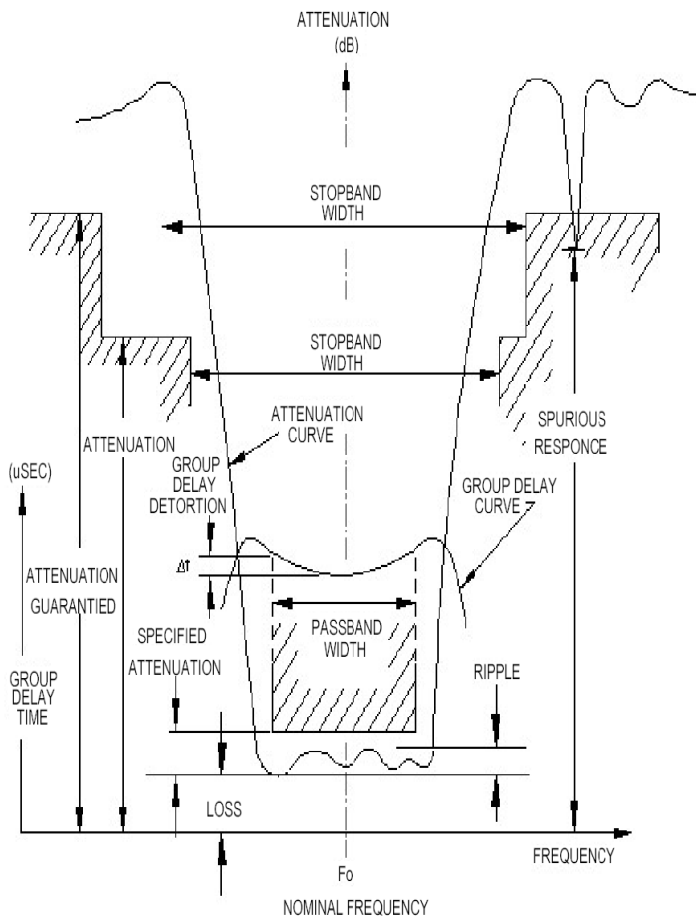
FILTRONETICS Inc

1. Part Number: M10JAA

2. Electrical Specifications:

Center Frequency (Fo)	10.7MHz
3 dB Band Width:	±15KHz Min
Insertion Loss:	1.5dB Max
Pass Band Ripple:	0.5dB Max
15 dB Stop Band:	±50KHz Max
Ultimate Attenuation:	
+300KHz to +1000KHz	30dB Min
-300KHz to -1000KHz	40dB Min
Input Power	0dBm Max
Impedance:	5000Ω//0pf
Poles:	2
RoHS Compliant:	Yes

MEASUREMENT DEFINITIONS



3. Mechanical Package Style:

CASE HC-__

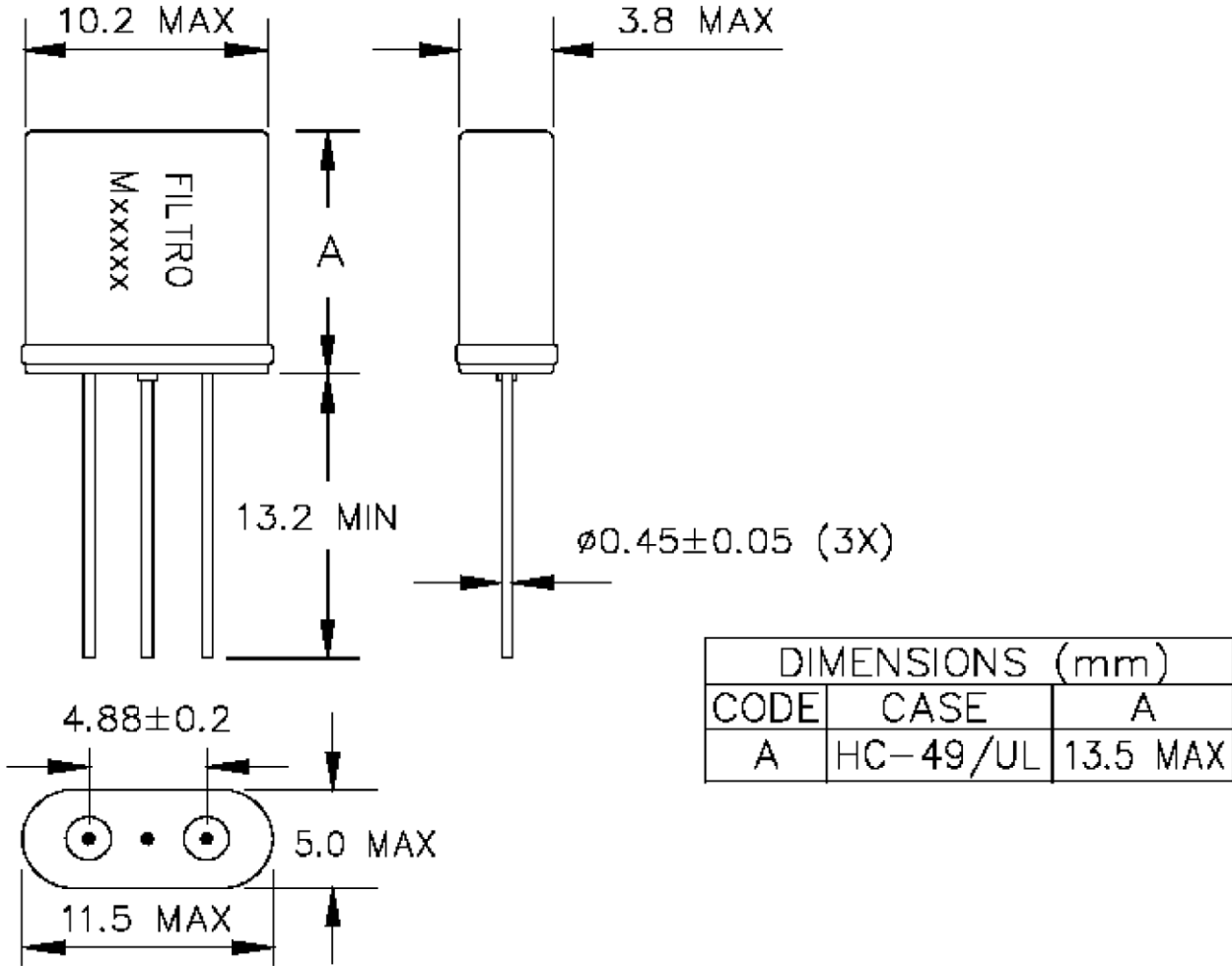


FIGURE M1 CASE HC