

SPECIFICATION

COMMERCIALY AVAILABLE

ITEM: MONOLITHIC CRYSTAL FILTER

PART NUMBER: M10GD4

RoHS

ISSUED / REVISION	ENGINEER APPROVED	DOCUMENT CHECKED	DRAFTSMAN
8/22/11 PM	10/11/2011 TFG		10/11/2011 GL

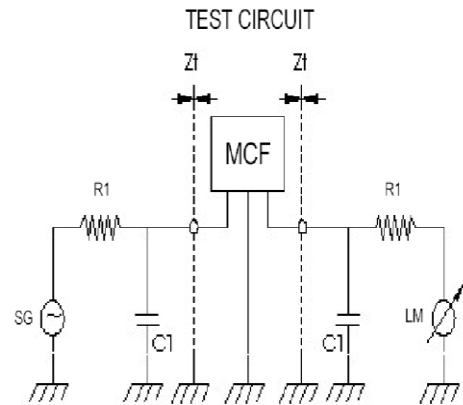
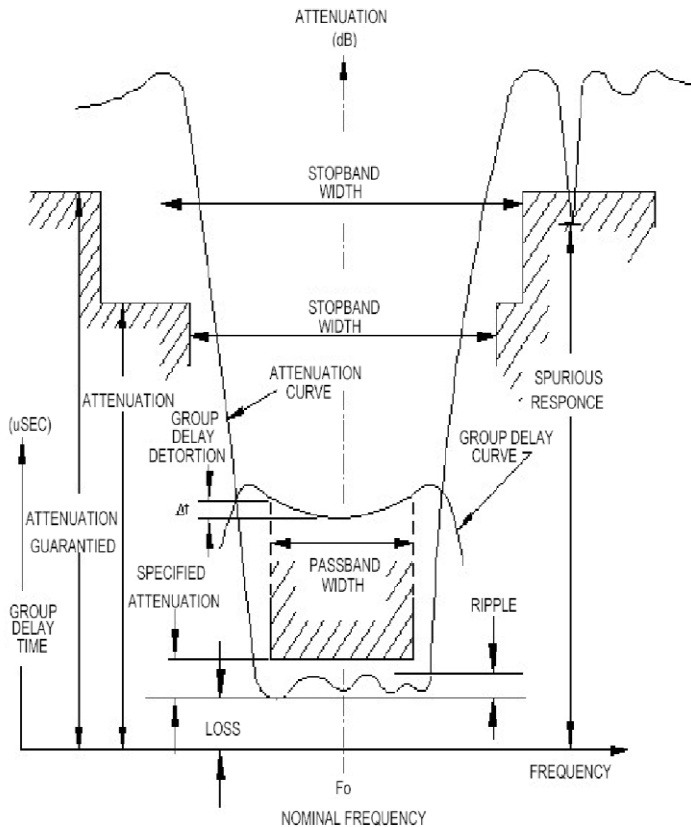
FILTRONETICS Inc

1. Part Number: M10GD4

2. Electrical Specifications:

Filter Type	Monolithic Xtal BP Filter
Center Frequency (Fo)	10.7 MHz
6 dB Band Width:	±10.0 KHz Min
Insertion Loss:	3.5 dB Max
Pass Band Ripple:	2.0 dB Max
80 dB Band Width:	±30 KHz Max
Ultimate Attenuation: (Fo ± KHz) 30.0 to 300	80 dB Min
Input Power	0 dBm Max
Impedance:	3900Ω // 1.0pf
Poles:	8
RoHS Compliant:	Yes

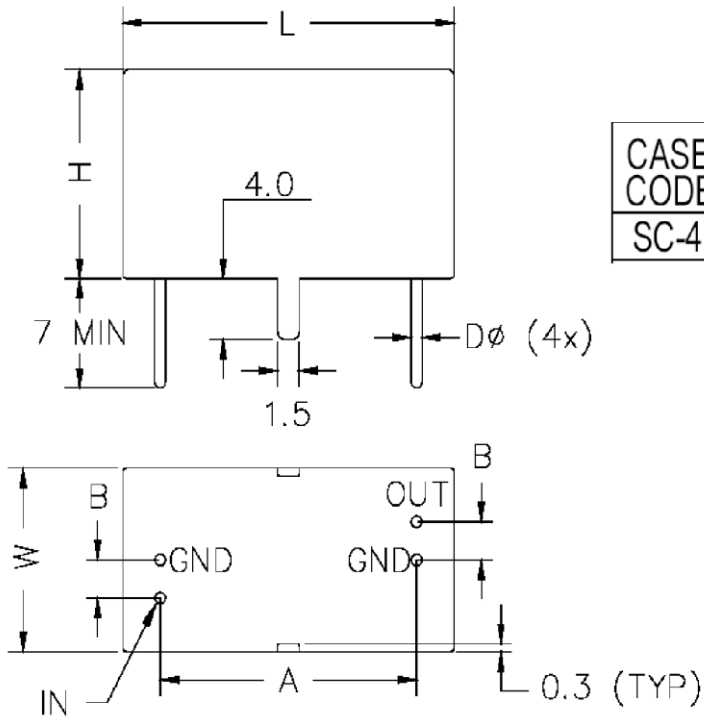
MEASUREMENT DEFINITIONS



2 pole MCF
 Z_t : TERMINATING IMPEDANCE
 HC-49 / U&UM1 PACKAGES
 ALL SC-X PACKAGES - 2, 4, 6 & 8 POLE

3. Mechanical Package Style:

CASE SC-__



CASE CODE	DIMENSIONS (mm)					
	L	W	H	A	B	D
SC-4	18.5	12.0	15.0	13.4	2.5	0.43

FIGURE M3 CASE SC