

SPECIFICATION

COMMERCIALY AVAILABLE

ITEM: MONOLITHIC CRYSTAL FILTER

PART NUMBER: M10FAA

RoHs

ISSUED / REVISION	ENGINEER APPROVED	DOCUMENT CHECKED	DRAFTSMAN
5/13/11 PM	10/05/2011 TFG		10/05/2011 GL

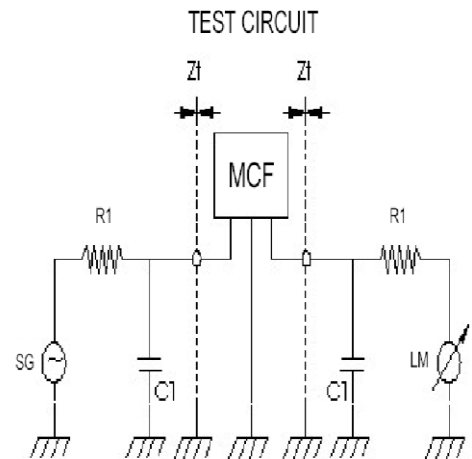
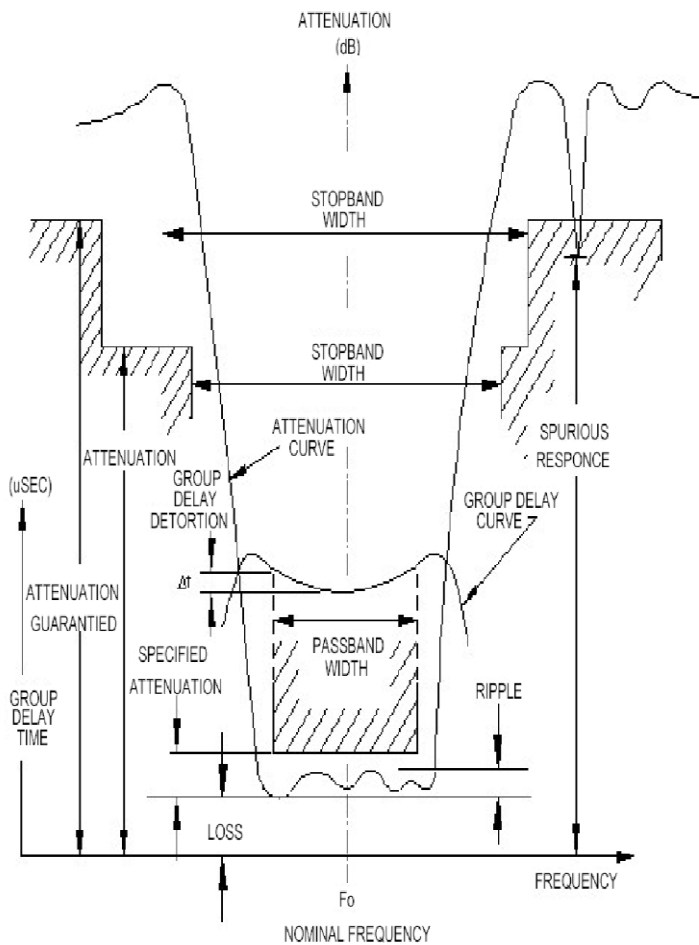
FILTRONETICS Inc

1. Part Number: M10FAA

2. Electrical Specifications:

Center Frequency (Fo)	10.7MHz
3 dB Band Width:	±7.5KHz Min
Insertion Loss:	1.5dB Max
Pass Band Ripple:	.5dB Max
18 dB Stop Band:	±25KHz Max
Ultimate Attenuation:	
+300KHz to +1000KHz	35dB Min
-200KHz to -1000KHz	40dB Min
Input Power	0dBm Max
Terminating Impedance Zt (Z//pF):	3000Ω//2.0pf Ohms
Poles:	2
RoHS Compliant:	Yes

MEASUREMENT DEFINITIONS



2 pole MCF
 Zt: TERMINATING IMPEDANCE
 HC-49 / U&UM1 PACKAGES
 ALL SC-X PACKAGES -2, 4,6 &8POLE

3. Mechanical Package Style:

CASE HC-__

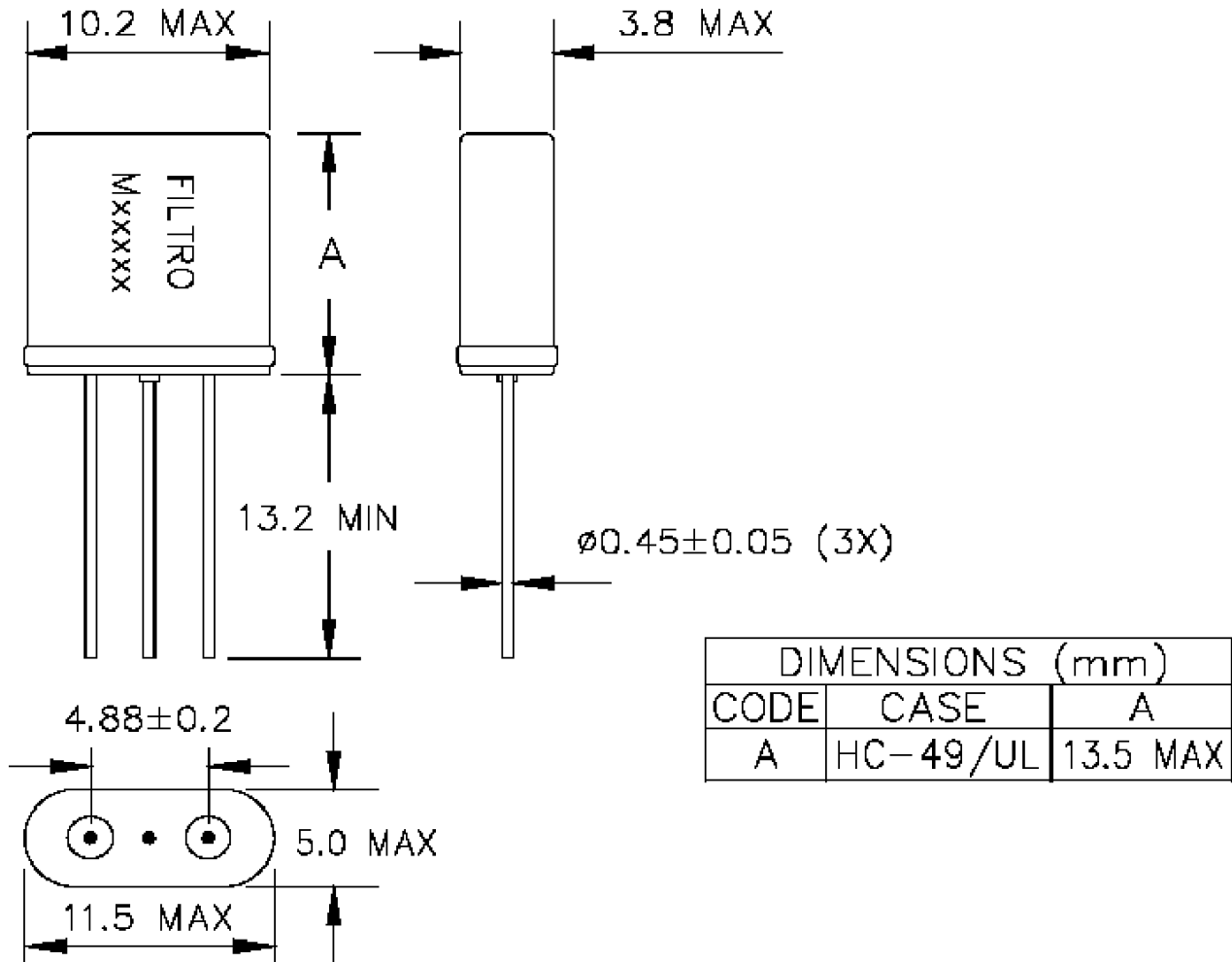


FIGURE M1 CASE HC