

SPECIFICATION

COMMERCIALY AVAILABLE

ITEM: MONOLITHIC CRYSTAL FILTER

PART NUMBER: M10DAB

RoHS

ISSUED / REVISION	ENGINEER APPROVED	DOCUMENT CHECKED	DRAFTSMAN
4/21/11 PM	5/16/2011 SRJ	5/16/2011 BF	5/16/2011 GL

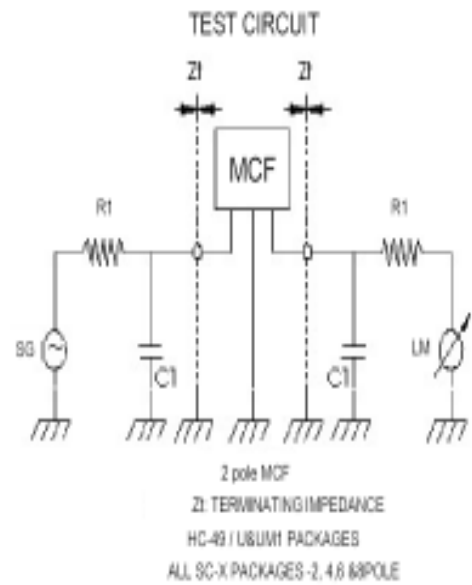
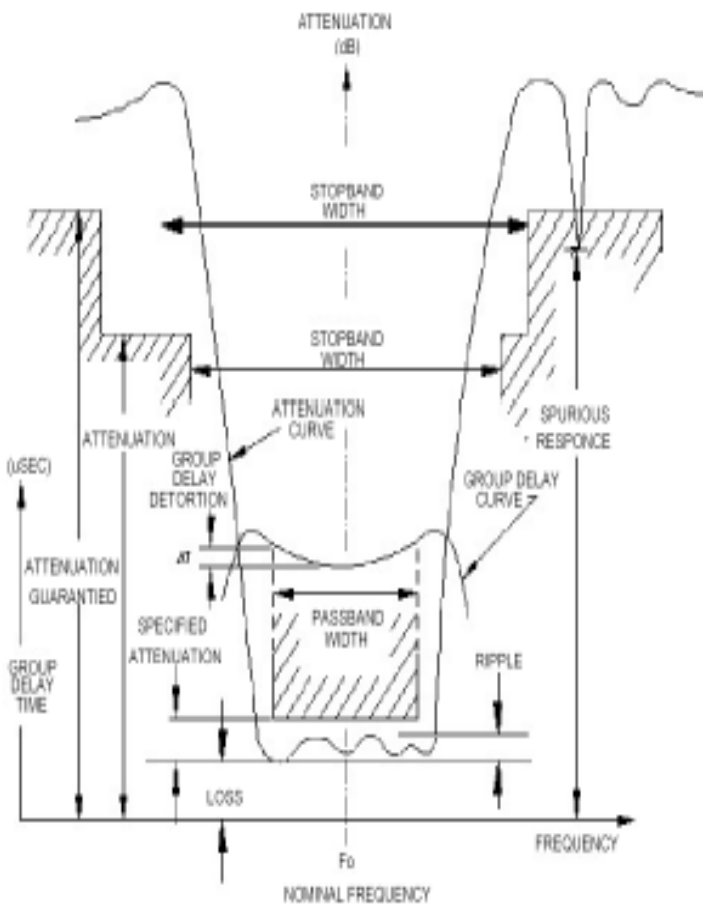
FILTRONETICS Inc

1. Part Number: M10DAB

2. Electrical Specifications:

Filter Type	Monolithic Xtal BP Filter
Center Frequency (Fo)	10.7 MHz
3 dB Band Width:	±6 KHz Min
Insertion Loss:	1.5 dB Max
Pass Band Ripple:	.5 dB Max
20 dB Band Width:	±25 KHz Max
Ultimate Attenuation: (Fo±KHz) +300 to +1000 (Fo±KHz) -200 to -1000	35dB 40dB
Input Power	0 dBm Max
Impedance:	2500Ω // 2.5pf
Number of Poles:	2
RoHS Compliant:	Yes

MEASUREMENT DEFINITIONS



3. Mechanical Package Style:

CASE HC—__

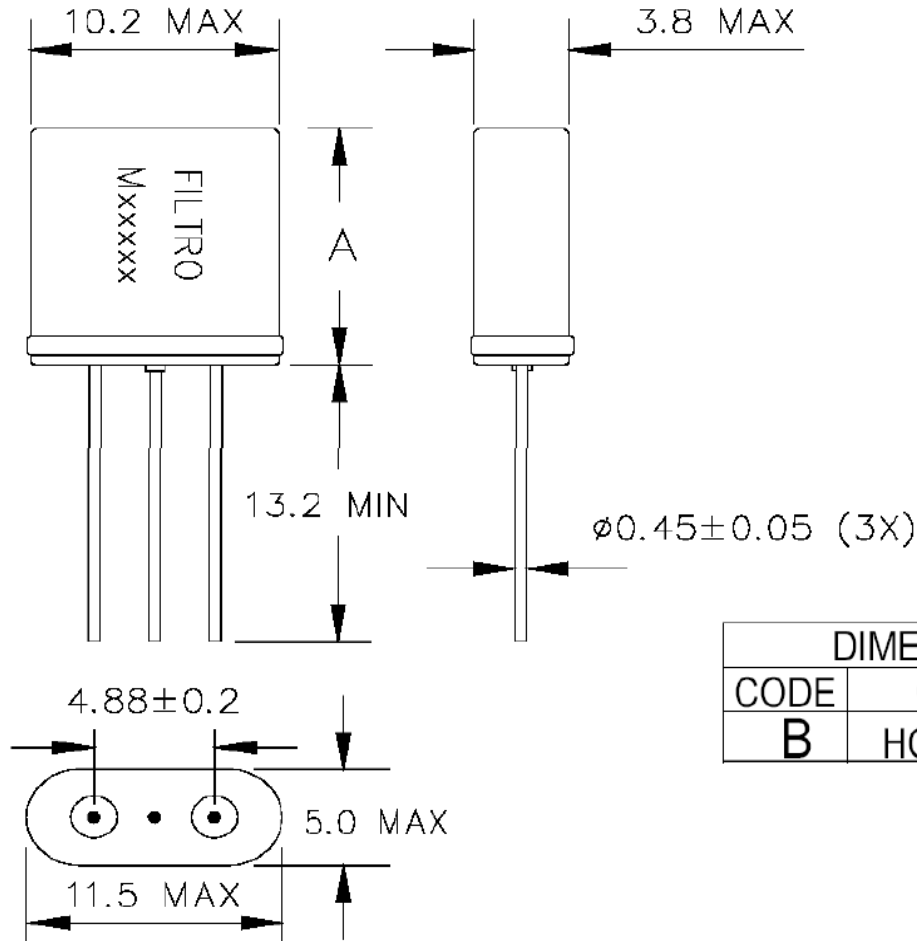


FIGURE M1 CASE HC