

SPECIFICATION

COMMERCIALY AVAILABLE

ITEM: MONOLITHIC CRYSTAL FILTER

PART NUMBER: M10AD4

RoHs

ISSUED / REVISION	ENGINEER APPROVED	DOCUMENT CHECKED	DRAFTSMAN
4/22/11 PM	10/05/2011 TFG		10/05/2011 GL

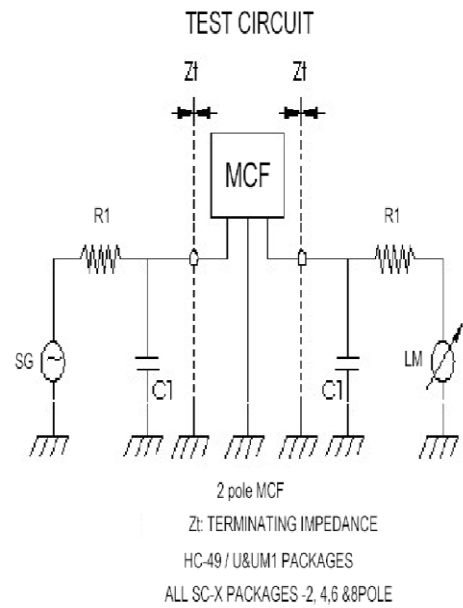
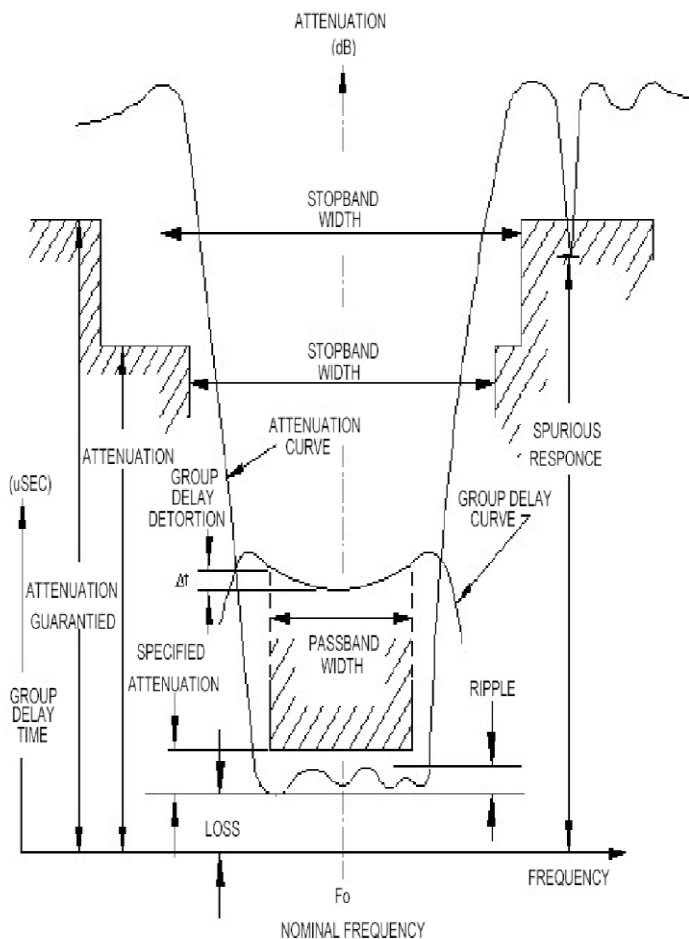
FILTRONETICS Inc

1. Part Number: M10AD4

2. Electrical Specifications:

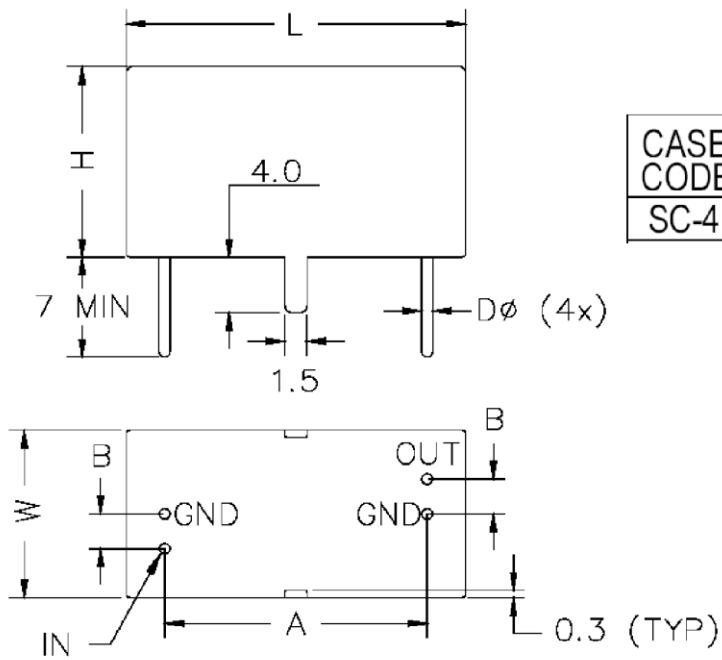
Center Frequency (Fo)	10.7 MHz
6 dBc Bandwidth:	±3.75 KHz Min
65 dBc Stopband:	±8.75 KHz Max
Ultimate Attenuation:	90 dB Fo ±12.5 to ±300
Ripple:	2.0 dB max
Insertion Loss:	4.0 dB Max
Termination Impedance Zt (Z//pF):	1800Ω // 3.5pf
Number of poles:	8
RoHS Compliant	Yes

MEASUREMENT DEFINITIONS



3. Mechanical Package:

CASE SC—__



CASE CODE	DIMENSIONS (mm)					
	L	W	H	A	B	D
SC-4	18.5	12.0	15.0	13.4	2.5	0.43

FIGURE M3 CASE SC