

SPECIFICATION

COMMERCIALY AVAILABLE

ITEM: MONOLITHIC CRYSTAL FILTER

PART NUMBER: M10AAB

RoHs

ISSUED / REVISION	ENGINEER APPROVED	DOCUMENT CHECKED	DRAFTSMAN
4/22/11 PM	10/05/2011 TFG		10/05/2011 GL

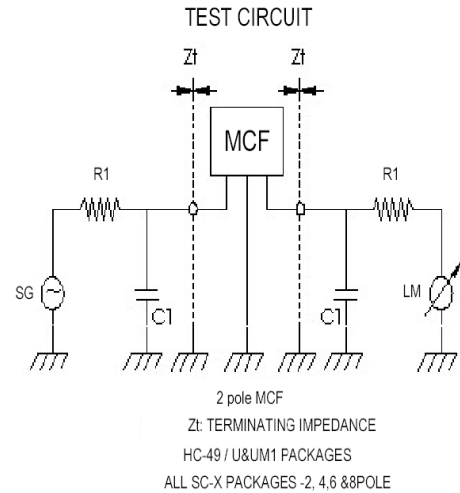
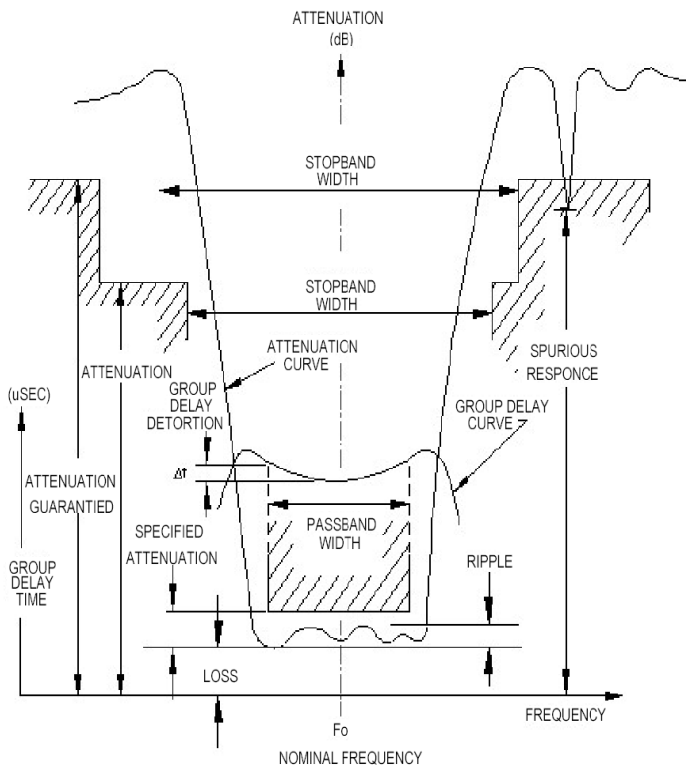
FILTRONETICS Inc

1. Part Number: M10AAB

2. Electrical Specifications:

Center Frequency (Fo):	10.7MHz
3 dBc Bandwidth:	± 3.75 KHz Min
20dBc Stopband:	± 18 KHz Min
Ultimate Attenuation: (Fo±KHz) +300 to+1000 (Fo±KHz) -200 to -1000	35dB 50dB
Ripple:	0.5dB max
Insertion Loss:	1.5dB Max
Termination Impedance Zt (Z//pF):	1800//5.0
Number of poles:	2
RoHS Compliant	Yes

MEASUREMENT DEFINITIONS



3. Mechanical Package:

CASE HC—__

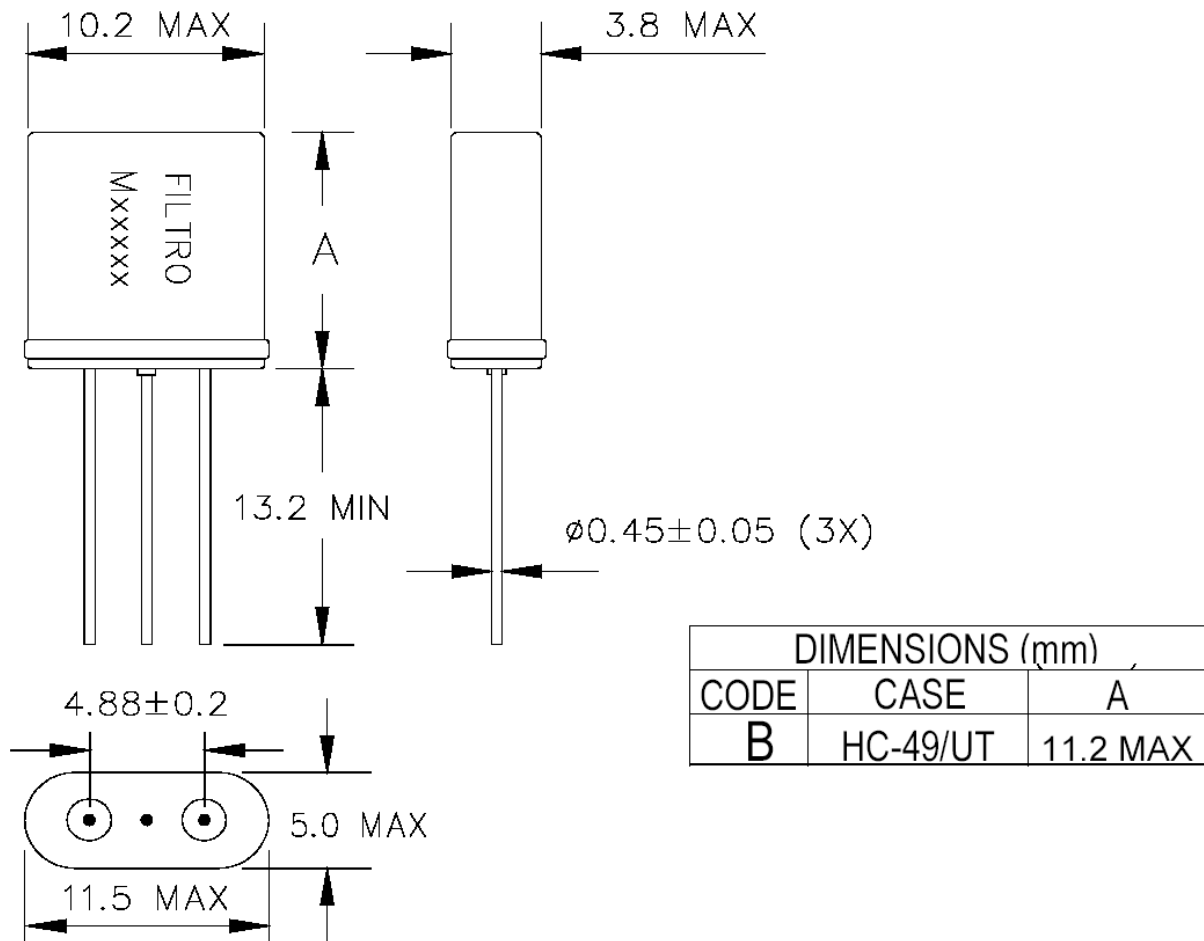


FIGURE M1 CASE HC