

# **SPECIFICATION**

## **COMMERCIALLY AVAILABLE**

**CAVITY BAND PASS FILTER**  
**PART NUMBER: FNP-1532**  
**RoHS**

<b>ISSUED / REVISION</b>	<b>ENGINEER APPROVED</b>	<b>DOCUMENT CHECKED</b>	<b>DRAFTSMAN</b>
10/15/2021 <sup>(ASM)</sup>			

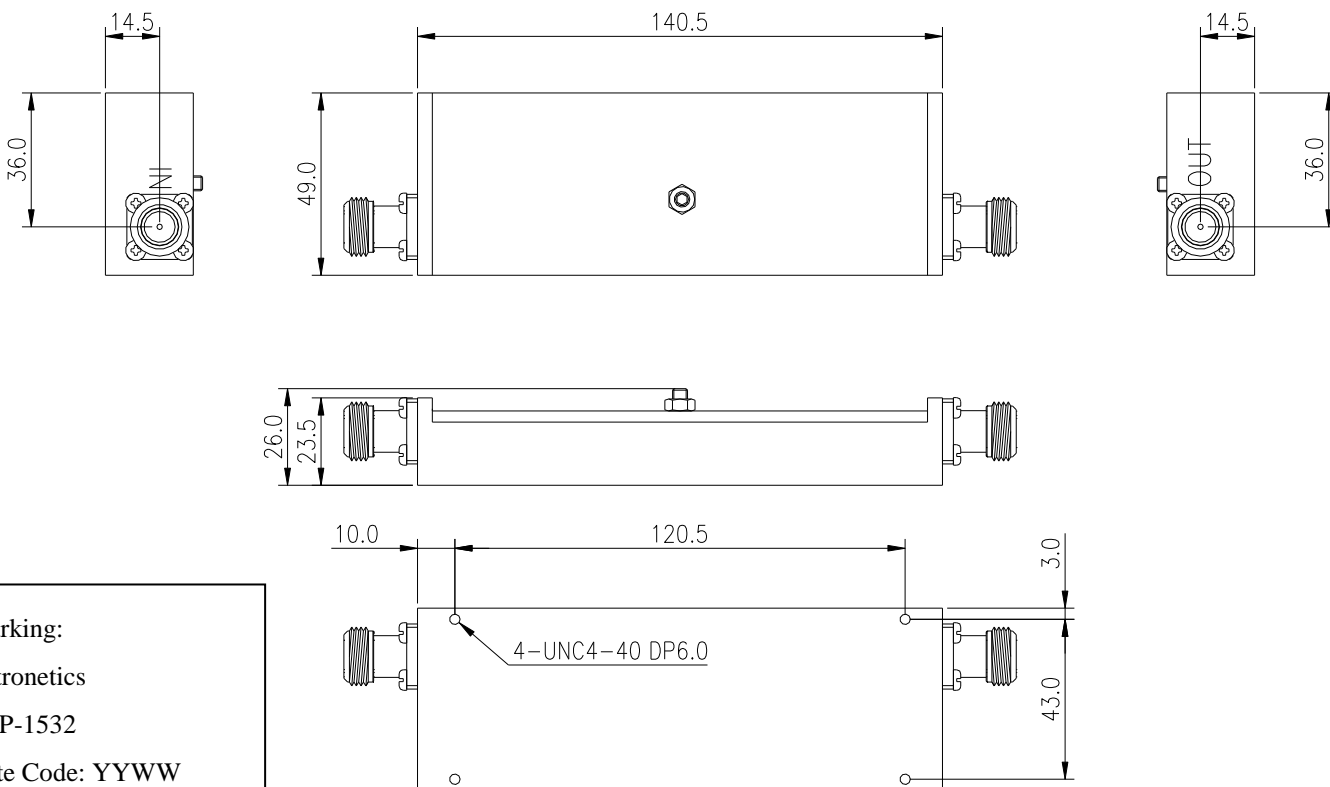
***FILTRONETICS Inc***

1. Part Number: FNP-1532

2. Electrical Specifications:

Parameter	Unit	Specification
Center Frequency	MHz	3000
Pass Bandwidth	MHz	$F_c \pm 100\text{MHz}$ (2900~3100Mhz)
Insertion Loss in BW	dB	1.5 Max.
Ripple in BW	dB	0.8 Max.
Return Loss in BW	dB	18.0 Min.
Attenuation	dB	70 min. @ 2850MHz 70 min. @ 3150MHz
Input Power	W	120 CW Max.
IN/OUT Impedance	$\Omega$	50
Temperature	$^{\circ}\text{C}$	-30~+70
Connector	-	N (Female) – All ports
Finish	-	Black Painting

3. Mechanical Package Style:



4. Theoretical Response Plot:

