

SPECIFICATION

COMMERCIALY AVAILABLE

CAVITY BAND PASS FILTER
 PART NUMBER: FNP-1489
 RoHS

See FNP-1482 for improved attenuation (larger package).

12/23/2019 – SMA and PCB package option added.

ISSUED / REVISION	ENGINEER APPROVED	DOCUMENT CHECKED	DRAFTSMAN	DOCUMENT CHECKED
12/18/2019 ^(ASM)				
12/23/2019 ^(ASM)				

FILTRONETICS Inc

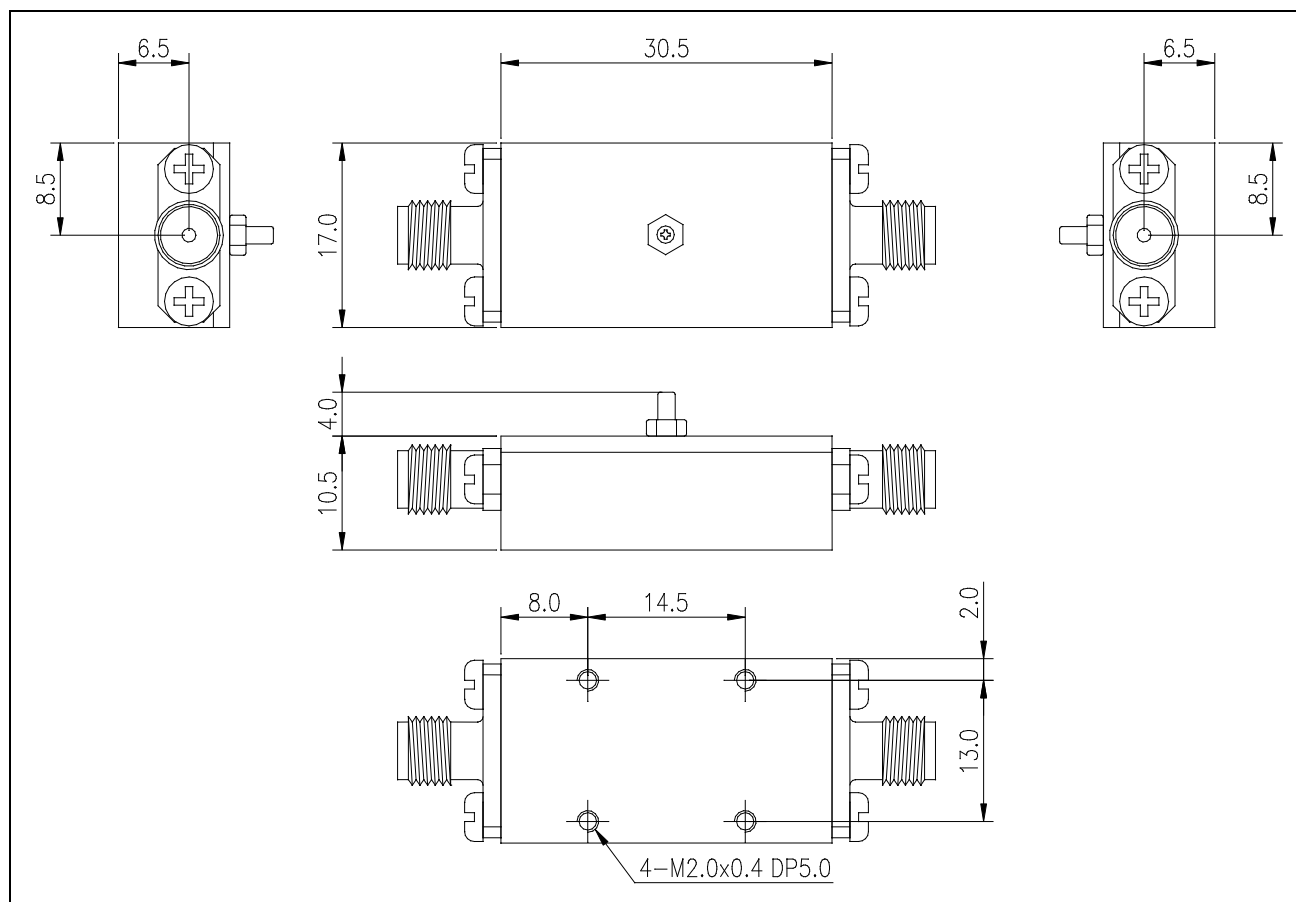
1. PART NUMBER: FNP-1489

2. SPECIFICATIONS:

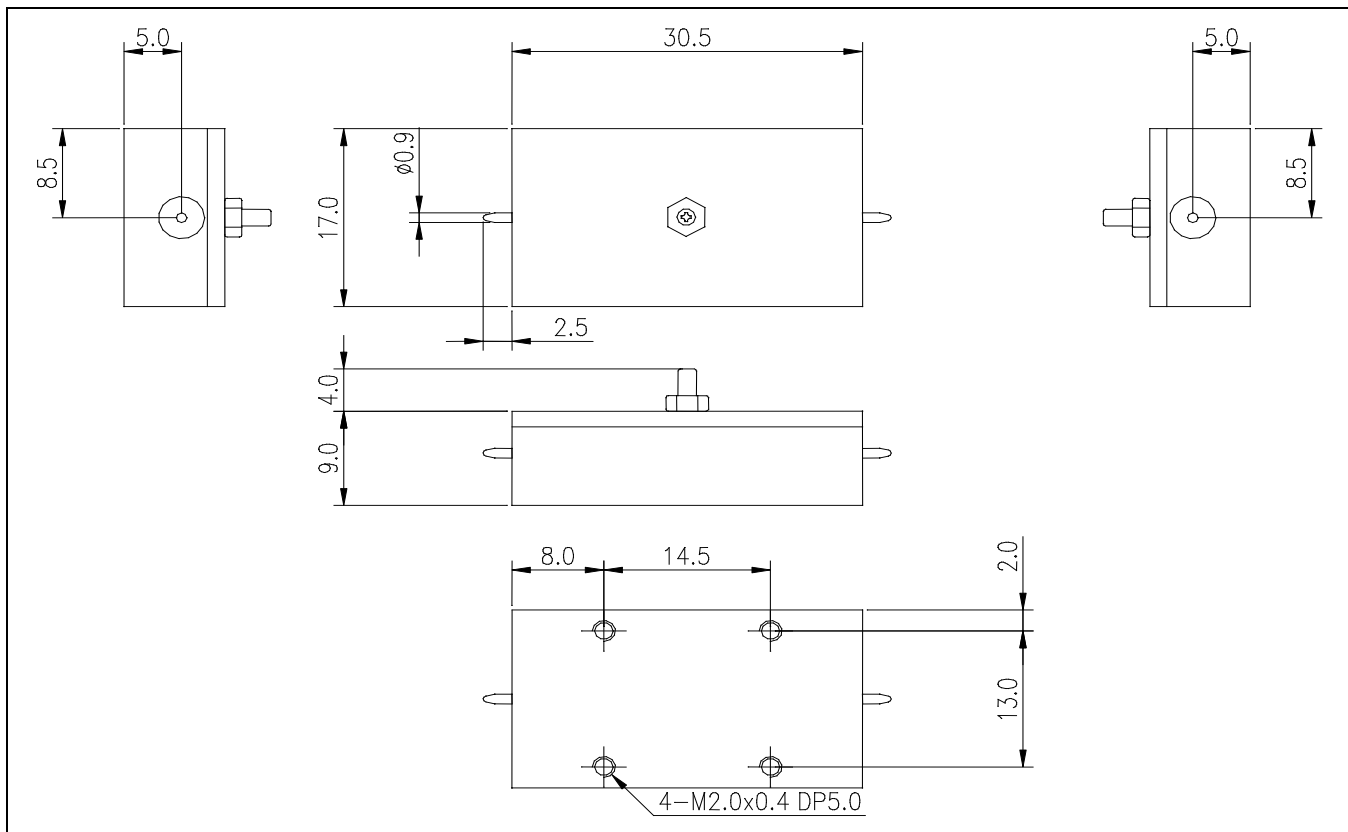
Parameter	Unit	Specification
Center Frequency	MHz	17125
Pass Bandwidth	MHz	$F_c \pm 125$ (17000~17250MHz)
Insertion Loss in BW	dB	2.0 Max
Return Loss in BW	dB	18.0 Min.
Attenuation	dB	25 Min. @ DC~16500MHz 25 Min. @ 18500~23000MHz
Input Power	W	10 CW Max.
IN/OUT Impedance	Ω	50
Operating Temp. Range	$^{\circ}\text{C}$	-30 ~ +70
Finish	-	Silver plating

3. PACKAGE OPTIONS / DIMENSIONS:

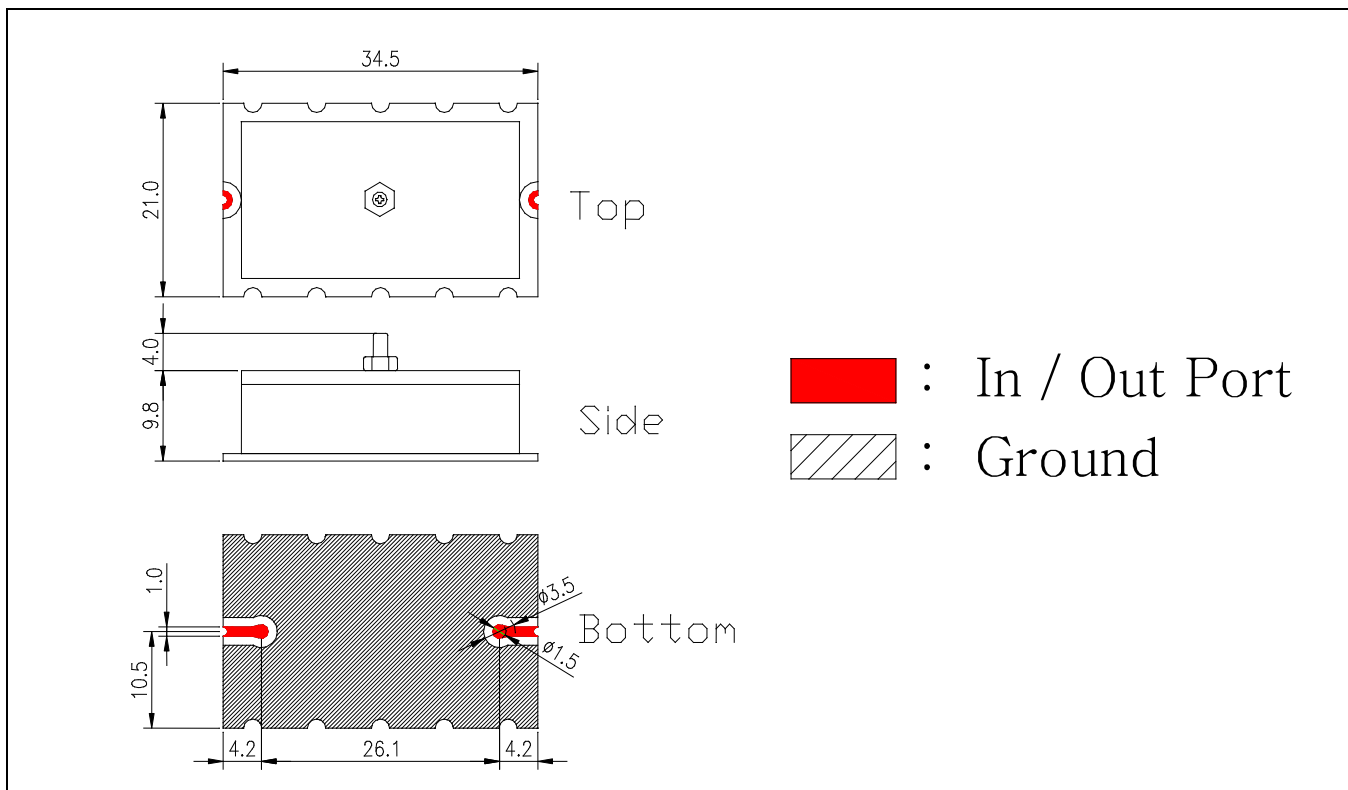
FNP-1489



FNP-1489CP1



FNP-1489CP2



5. THEORETICAL RESPONSE:

