

# SPECIFICATION

## COMMERCIALY AVAILABLE

CAVITY BAND PASS FILTER  
 PART NUMBER: FNP-1482  
 RoHS

See FNP-1489 for reduced attenuation and smaller package option.

ISSUED / REVISION	ENGINEER APPROVED	DOCUMENT CHECKED	DRAFTSMAN	DOCUMENT CHECKED
09/27/2019 <sup>(ASM)</sup>				

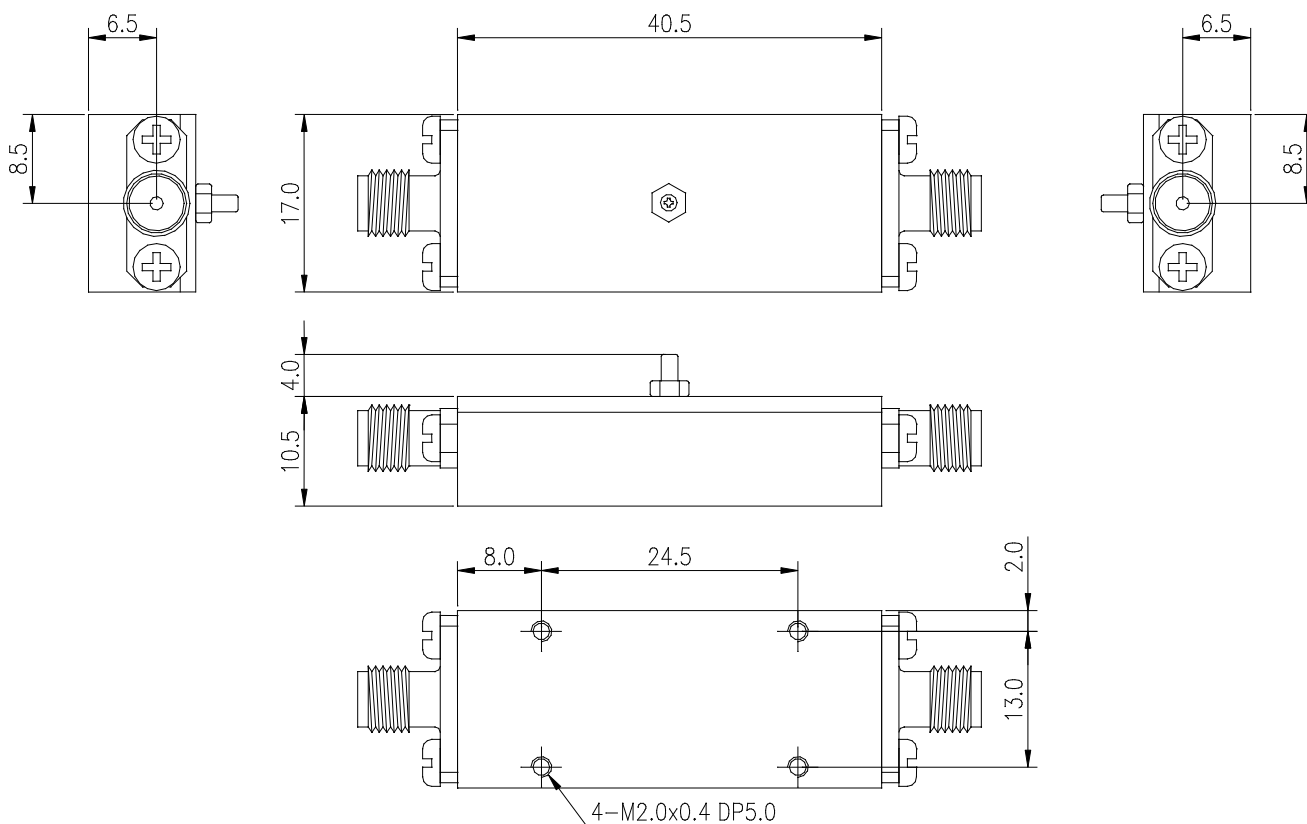
***FILTRONETICS Inc***

**1. PART NUMBER: FNP-1482**

**2. SPECIFICATIONS:**

Parameter	Unit	Specification
Center Frequency	MHz	17125
Pass Bandwidth	MHz	$F_c \pm 125$ (17000~17250MHz)
Insertion Loss in BW	dB	2.0 Max
Return Loss in BW	dB	18.0 Min.
Attenuation	dB	50 Min. @ DC~16525MHz 50 Min. @ 17725~23000MHz
Input Power	W	10 Max.
Connector	-	SMA(Female) -All ports
IN/OUT Impedance	$\Omega$	50
Operating Temp. Range	$^{\circ}\text{C}$	-30 ~ +70
Finish	-	Silver plating

**3. DIMENSIONS:**



5. THEORETICAL RESPONSE:

