

SPECIFICATION

COMMERCIALY AVAILABLE

ENCASED CERAMIC
PART NUMBER: FNP-1370

01/19/2021 – Revised power handling and operating temperature.

ISSUED / REVISION	ENGINEER APPROVED	DOCUMENT CHECKED	DRAFTSMAN
3/13/15 (kn)			
01/19/2020 ^(asm)			

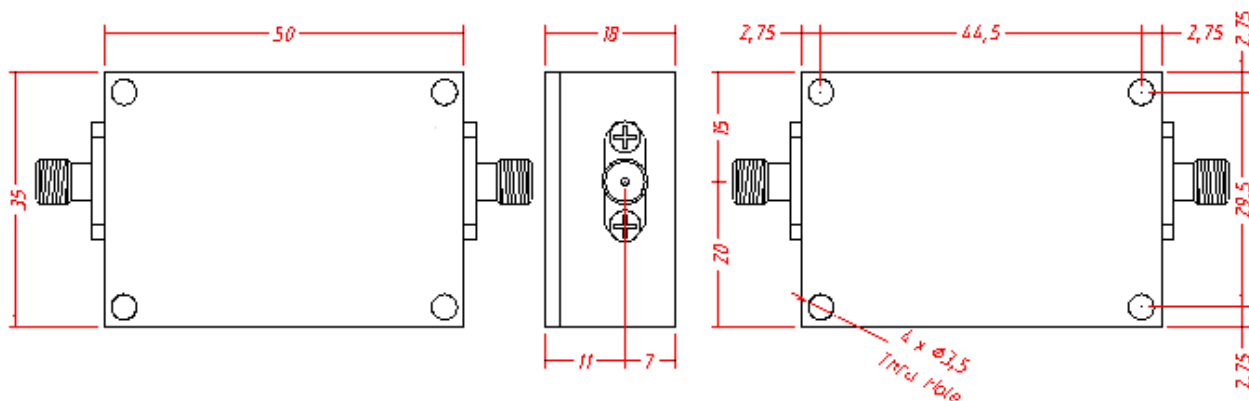
FILTRONETICS Inc

1. Part Number: FNP-1370

2. Electrical Specifications:

Parameter	Unit	Specification
Center Frequency	MHz	410
Bandwidth	MHz	$F_c \pm 10.25$ (399.75 ~ 420.25MHz)
50dB Bandwidth		
Insertion Loss in BW	dB	1.5 Max.
Ripple in BW	dB	0.3 Max.
Return Loss in BW	dB	15 Min.
Input Power	Watt	1.0 Max.
IN/OUT Impedance	Ω	50
Operating Temp. Range	$^{\circ}\text{C}$	-40 ~ +85
Connector	-	SMA(Female) – All ports
Finish	-	White Chromate

3. Dimension:



NOTES:

- 1. Encased package
- 2. Dimensions in millimeters
- 3. Tolerance unless specified: ± 0.3

Marking:
Filtronetics
FNP-1370
Date Code: YYWW

4. Theoretical Response Plot:

