

SPECIFICATION
COMMERCIALY AVAILABLE

CAVITY BAND PASS
PART NUMBER: FNP-1327-1
RoHS

Also available with
 SMA (F) connectors
 See FNP-1327

ISSUED / REVISION	ENGINEER APPROVED	DOCUMENT CHECKED	DRAFTSMAN	DOCUMENT CHECKED
7/15/13 ^(kn)	07/24/2013 TFG		07/24/2013 GL	

FILTRONETICS Inc

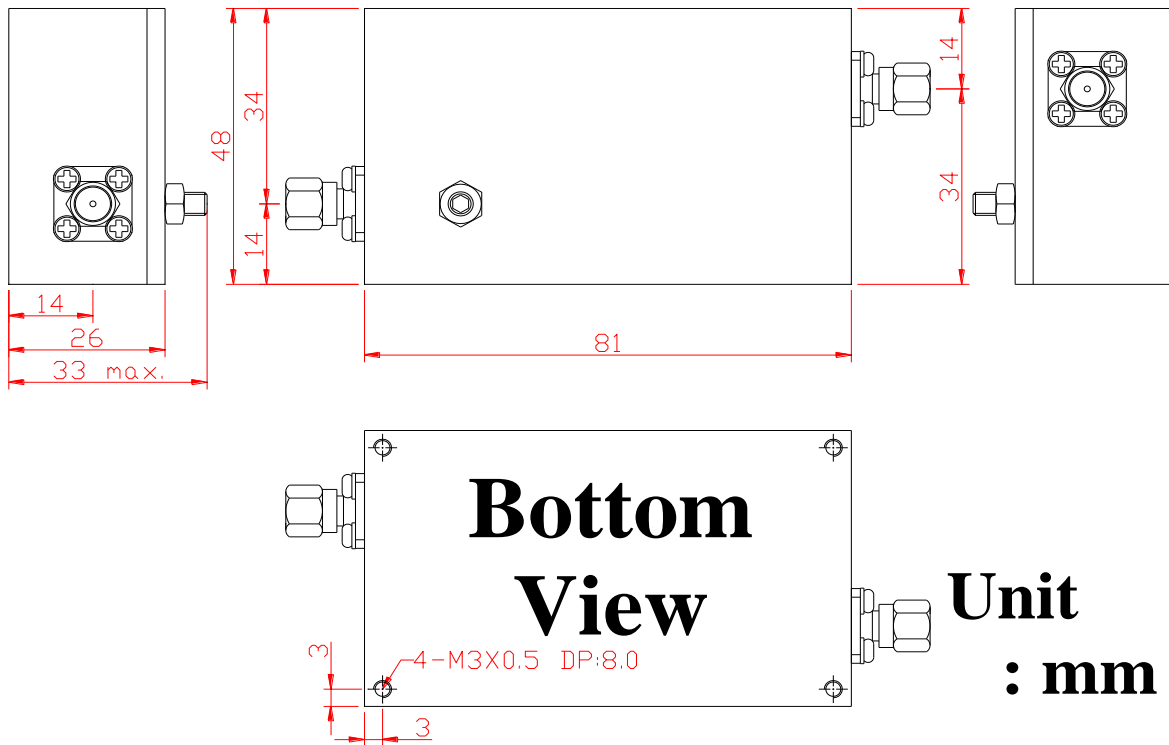
1. PART NUMBER: FNP-1327-1

2. SPECIFICATIONS:

No.	Parameter	Unit	Specification
1	Center Frequency (Fc)	MHz	2250
2	Pass-Band Bandwidth	MHz	2200 ~ 2300
3	Insertion Loss in BW	dB	1.0 max.
4	Ripple in BW	dB	0.5 max.
5	Return Loss in BW	dB	20.0 min.
6	Attenuation	dB	35 min. @ 2160 MHz 35 min. @ 2340 MHz
7	Group Delay Variation	nsec	10 max.
8	IN/OUT Impedance	Ω	50
9	Input Power	Watt	20.0 max. (CW)
10	Operating Temp. Range	$^{\circ}\text{C}$	0 ~ +70
11	Connector type	-	SMA-Male @ All port
12	Finish	-	Black Painting

Marking:
FNP-1327-1
Date Code

3. Dimensions:



4. SIMULATION GRAPHS:

