

SPECIFICATION
 CAVITY BP
COMMERCIALY AVAILABLE

PART NUMBER: FNP-1249
 RoHS

ISSUED / REVISION	ENGINEER APPROVED	DOCUMENT CHECKED	DRAFTSMAN
3/27/12 kn	06/08/2012 TFG		06/08/2012 GL

FILTRONETICS Inc

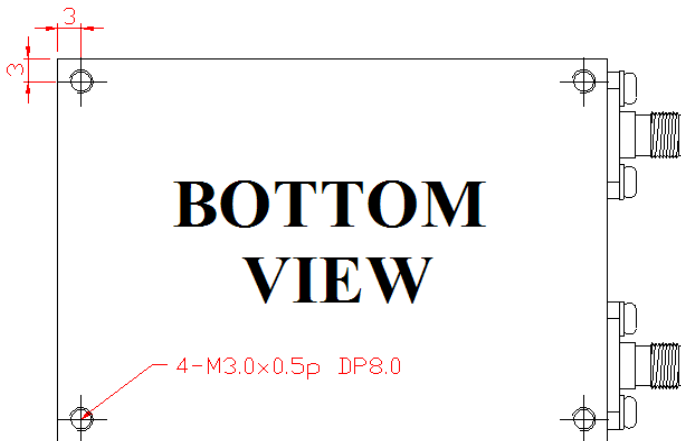
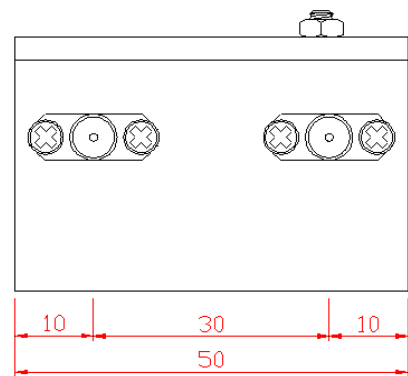
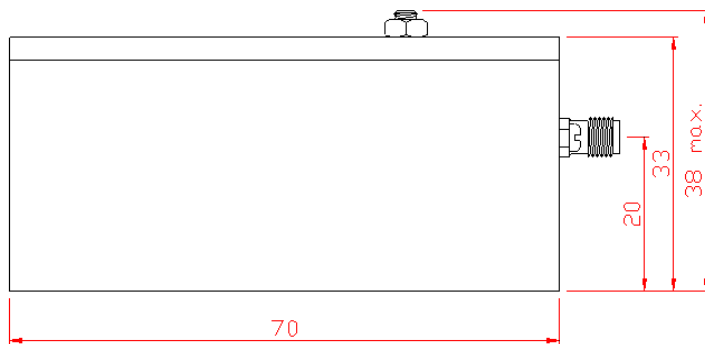
1. Part Number: FNP-1249

2. Electrical Specifications:

No.	Parameter	Unit	Specification
1	Center Frequency	MHz	1575.42
2	Bandwidth	MHz	$F_c \pm 10$ (1565.42 ~ 1585.42 MHz)
3	Insertion Loss in BW	dB	1.0 max.
4	Ripple in BW	dB	0.5 max.
5	Return Loss in BW	dB	18.0 min. (V.S.W.R - 1.3 : 1 max.)
6	Attenuation	dB	100 min. @ 1495.42 MHz 100 min. @ 1655.42 MHz
7	Input Power	Watt	1.0 max. (CW)
8	IN/OUT Impedance	Ω	50
9	Operating Temperature	$^{\circ}\text{C}$	-10 ~ +60
10	Connector type	-	SMA - Type (f)
11	Finish	-	Black color epoxy coated

Marking:
FNP-1249
Date Code

3. Mechanical Package Style:



Unit:
mm

4. Simulation:

