

SPECIFICATION
 FILTER SPECIFICATION
COMMERCIALY AVAILABLE

PART NUMBER: FNP-1239
Pin Connectors
RoHS

ISSUED / REVISION	ENGINEER APPROVED	DOCUMENT CHECKED	DRAFTSMAN
1/31/12 kn	06/04/2012 TFG		06/04/2012 GL

FILTRONETICS Inc

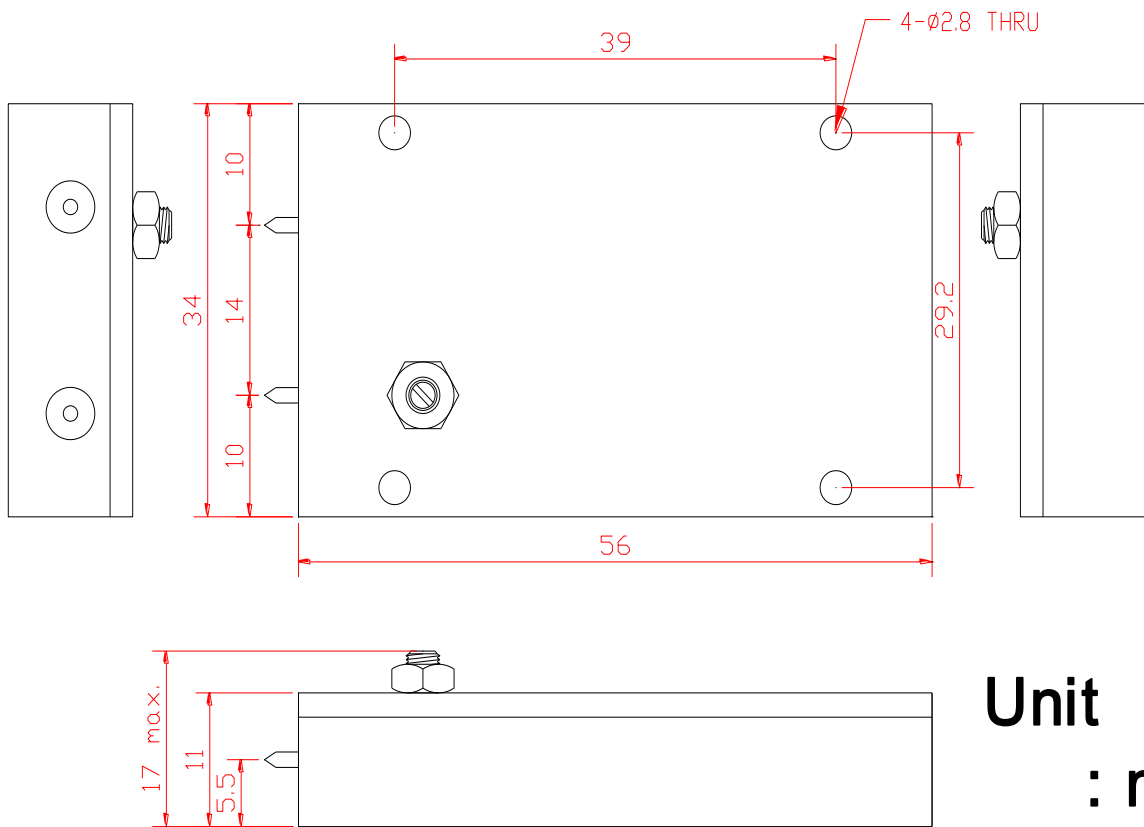
1. Part Number: FNP-1239

2. Electrical Specifications:

No.	Parameter	Unit	Specification
1	Center Frequency	MHz	7800
2	Bandwidth	MHz	$F_c \pm 50$ min. (7750~7850 MHz)
3	Insertion Loss in BW	dB	3.0 max.
4	Ripple in BW	dB	1.5 max.
5	Return Loss in BW	dB	15.0 min.
6	Attenuation	dB	65 min. @ 7700 MHz 65 min. @ 7900 MHz
7	Input Power	Watt	5 max.
8	IN/OUT Impedance	Ω	50

Marking:
FNP-1239
Date Code

3. Mechanical Package Style:



Unit
: mm

4. Simulation:

