

BANDPASS FILTER

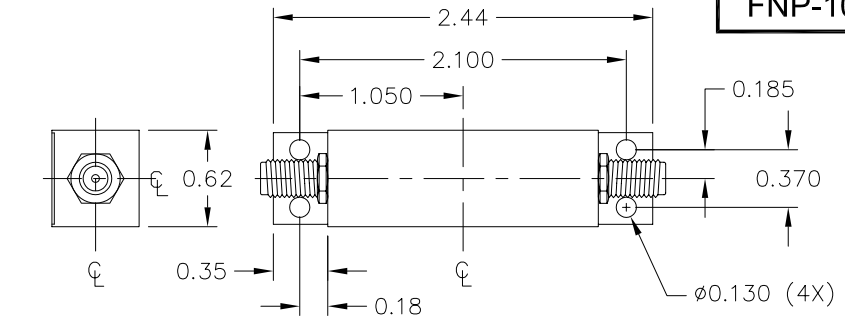
Fo: 70 MHz
IMPEDANCE : 50 OHM (IN/OUT)
INSERTION LOSS: 22 dB MAX *
RIPPLE: 0.5 dB MAX
3dB BANDWIDTH: 40 MHz MIN
40dB BANDWIDTH: 47.5 MHz MAX
 ΔT 30 nSEC MAX
ABSOLUTE DELAY: 0.81 uSEC TYPICAL
OPERATING TEMPERATURE : -30°C to +70°C

* CAN PROVIDE WITH 20 dB AMPLIFIER FOR MINIMUM I.L., ASK FOR DETAILS.

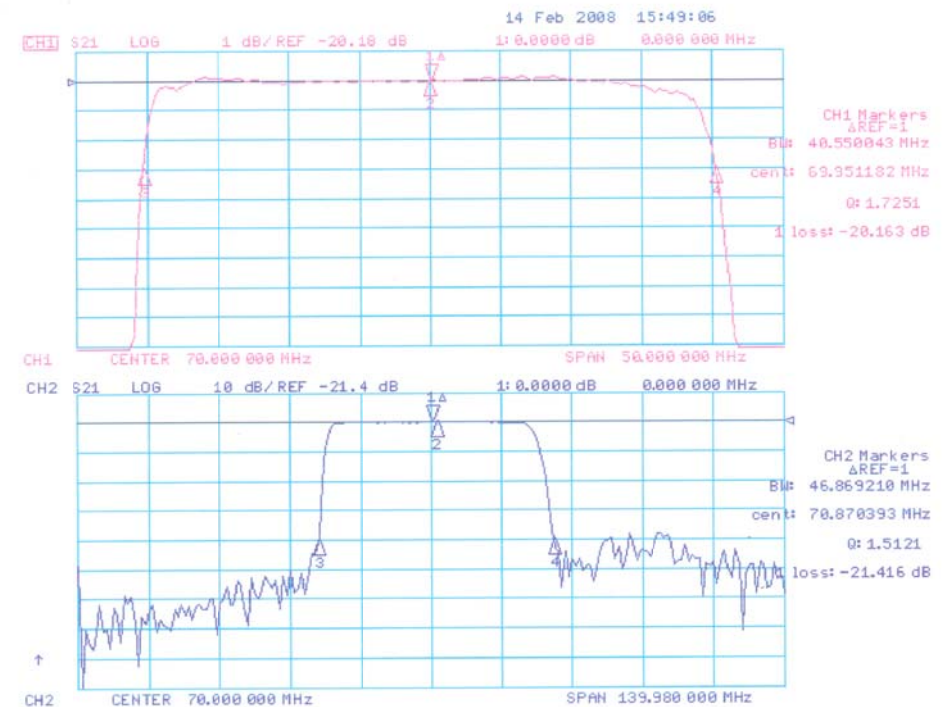
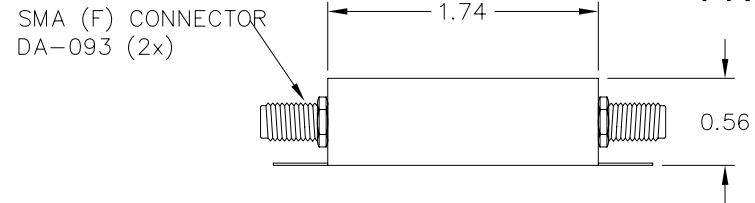
OTHER CONNECTORS AVAILABLE, ASK FOR DETAILS.

[FOR SMD VERSION \(SF070400B\) CLICK THIS LINK](#)

FNP-1006W



FNP-1006W



FNP-1006W DRAWING SUMMARY

FILTRONETICS, INC.

6010 PARRETTA DR.
 KANSAS CITY, MO 64120
 816-231-7375
 FAX 816-241-0368
 WWW.FILTRO.NET

TOLERANCES UNLESS NOTED

ANGLE = $\pm 1^\circ$	HOLES
.XX = $\pm .020$	$\pm .002$
.XXX = $\pm .010$	

REVISED 2/22/08