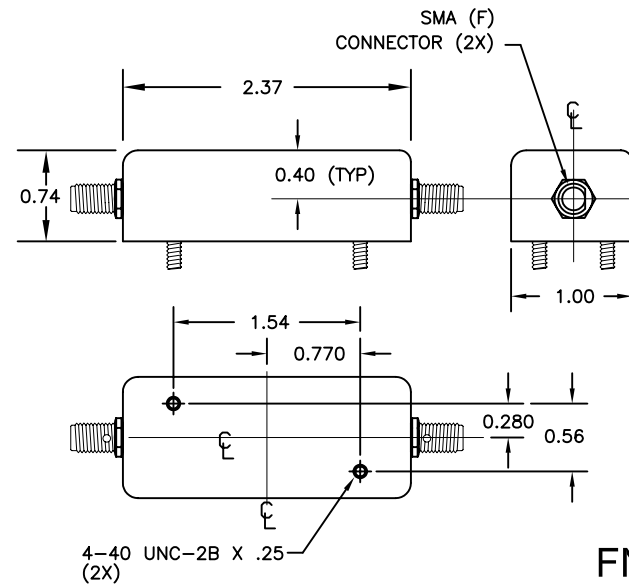


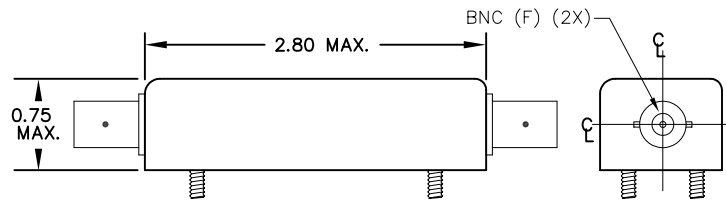
BANDPASS FILTER

Fo: 10.7 MHz
6dB BANDWIDTH: 100 KHz MINIMUM
60 dB BANDWIDTH: 250 KHz MAXIMUM
SPURIOUS ATTENUATION: 50 dB MIN
INSERTION LOSS: 8.0 dB MAX
IMPEDANCE: 50 OHMS (IN & OUT)
RIPPLE : 1.0 dB MAXIMUM
OPERATING TEMPERATURE: -20°C TO +85°C

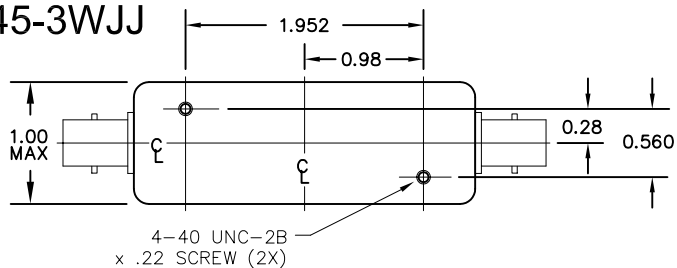
FN-845-3W



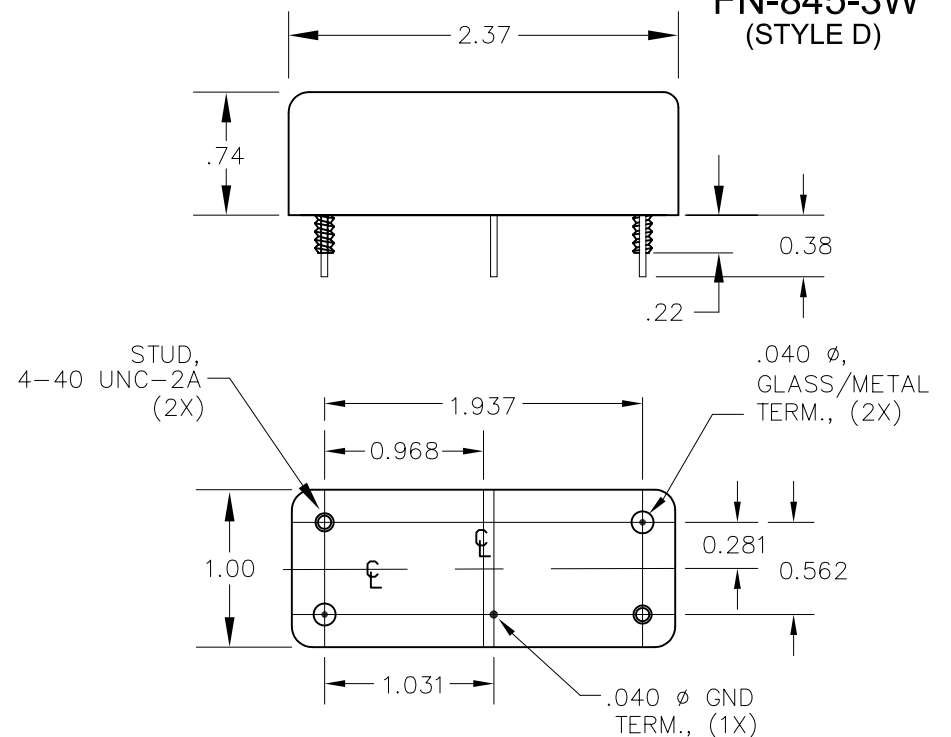
FN-845-3WF



FN-845-3WJJ



**FN-845-3W
(STYLE D)**



FN-845-3W DRAWING SUMMARY

FILTRONETICS, INC.
 6010 PARRETTA DR.
 KANSAS CITY, MO 64120
 816-231-7375
 FAX 816-241-0368
 WWW.FILTRO.NET

TOLERANCES UNLESS NOTED

ANGLE = ± 1°	HOLES
.XX = ± .020	± .002
.XXX = ± .010	

REVISED 10/19/06