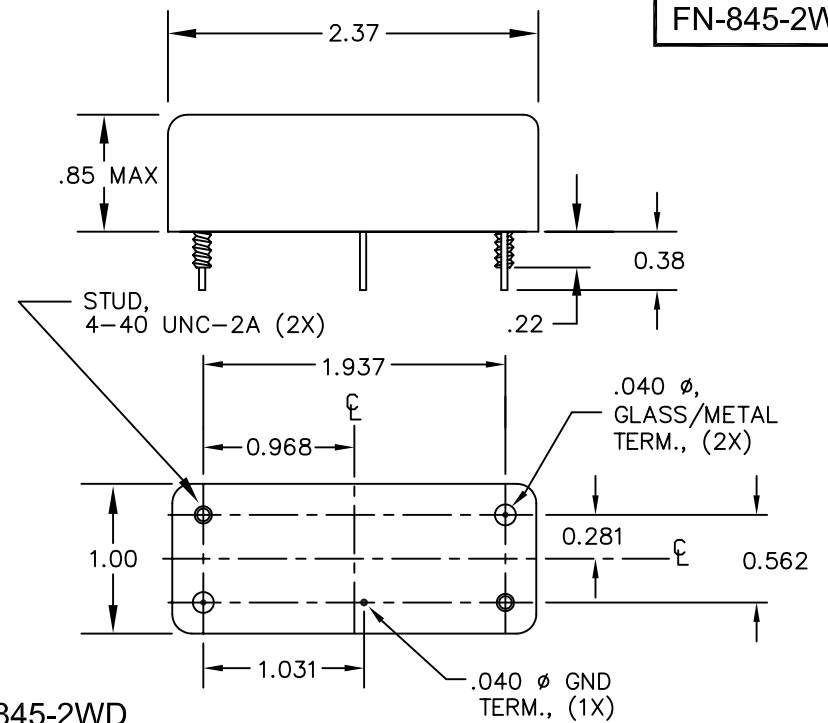
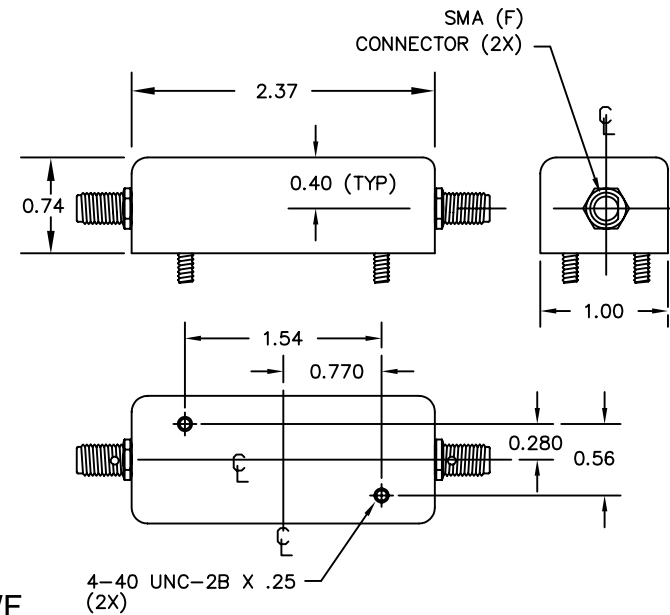


BAND PASS FILTER

Fo: 10.70 MHz
IMPEDANCE: 50 OHMS
INSERTION LOSS: 6.0 dB MAX
RIPPLE: 0.75 dB MAXIMUM
2 dB BANDWIDTH: 40 KHz MINIMUM
6 dB BANDWIDTH: 50 KHz MINIMUM
70 dB BANDWIDTH: 104 KHz MAXIMUM
OPERATING TEMPERATURE: -20°C TO +85°C



FN-845-2WD



FN-845-2WF

FN-845-2W DRAWING SUMMARY

FILTRONETICS, INC.
 6010 PARRETTA DR.
 KANSAS CITY, MO 64120
 816-231-7375
 FAX 816-241-0368
 WWW.FILTRO.NET

TOLERANCES UNLESS NOTED

ANGLE = ± 1°	HOLES ± .002
.XX = ± .020	
.XXX = ± .010	

REVISED 10/17/06