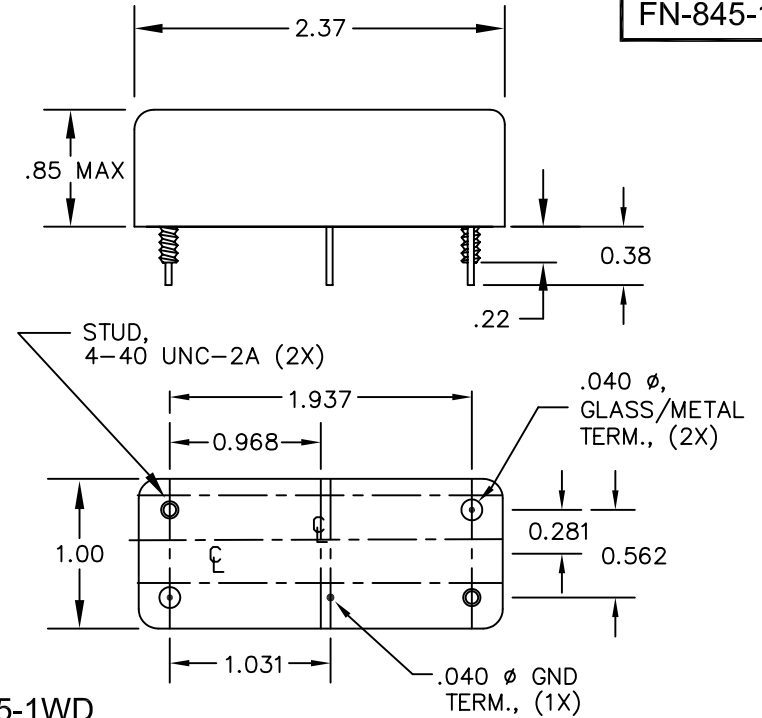


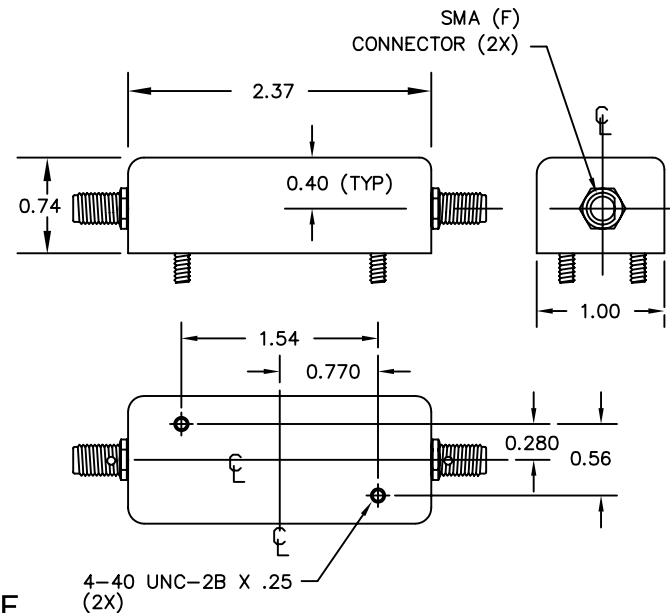
BAND PASS FILTER

Fo: 10.70 MHz
IMPEDANCE: 50 OHMS
INSERTION LOSS: 4.0 dB MAX
RIPPLE: 1.0 dB MAXIMUM
2 dB BANDWIDTH: 20 KHz MINIMUM
6 dB BANDWIDTH: 25 KHz MINIMUM
70 dB BANDWIDTH: 52 KHz MAXIMUM
OPERATING TEMPERATURE: -20°C TO +85°C

FN-845-1W



FN-845-1WD



FN-845-1WF

FN-845-1W DRAWING SUMMARY

FILTRONETICS, INC.
 6010 PARRETTA DR.
 KANSAS CITY, MO 64120
 816-231-7375
 FAX 816-241-0368
 WWW.FILTRO.NET

TOLERANCES UNLESS NOTED

ANGLE = $\pm 1^\circ$	HOLES
.XX = $\pm .020$	$\pm .002$
.XXX = $\pm .010$	

REVISED 10/17/06