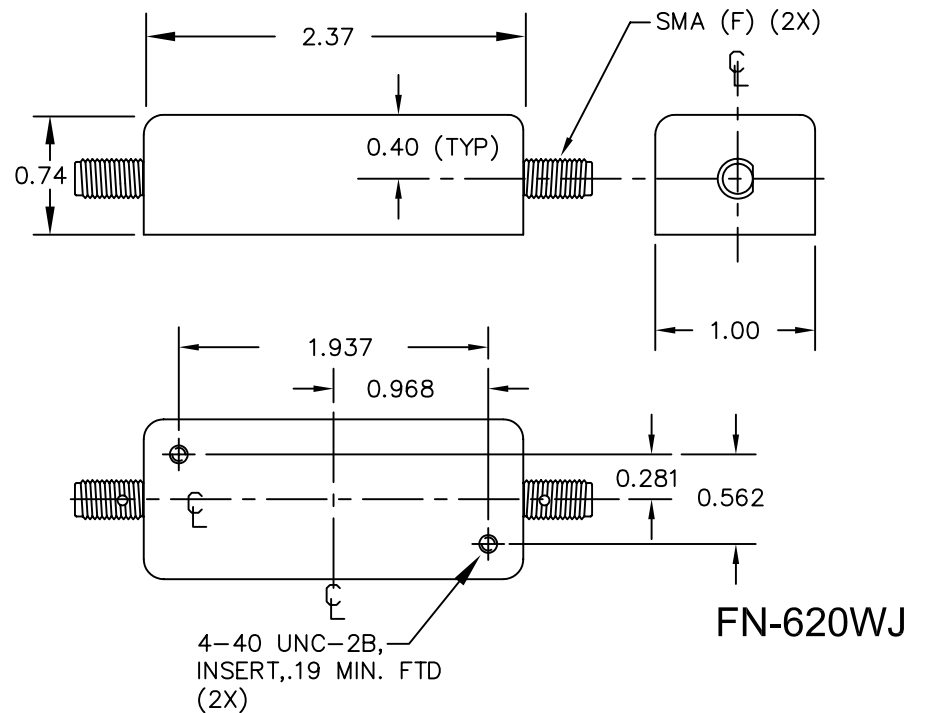
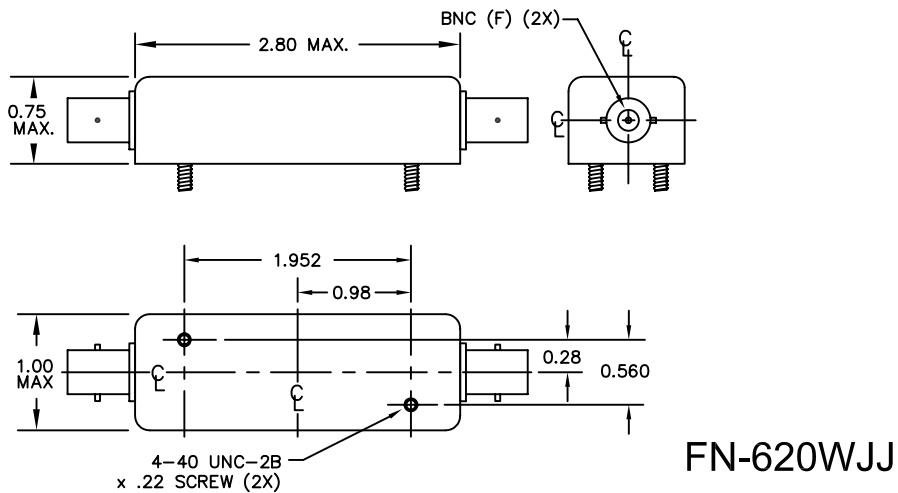
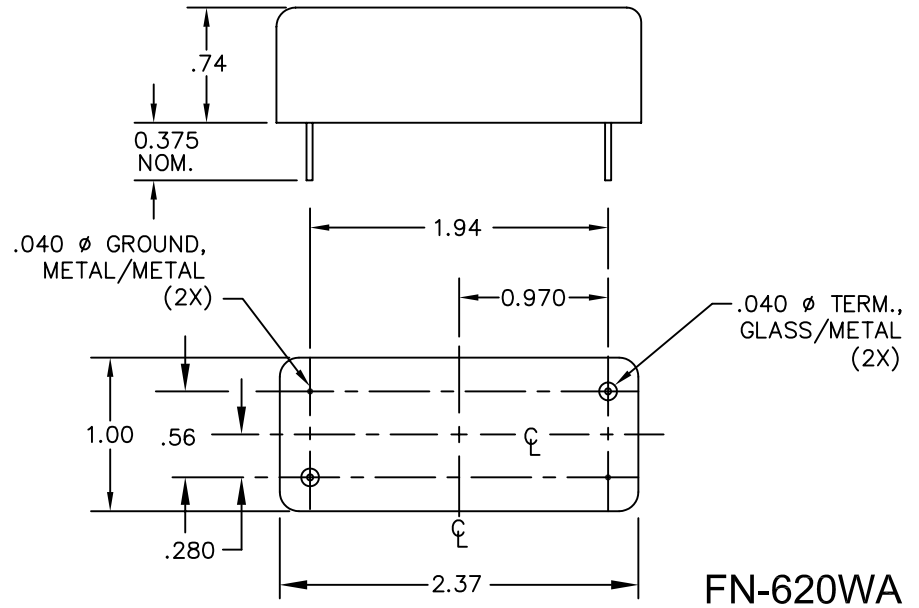


BANDPASS FILTER

Fo: 5.0 MHz
IMPEDANCE : 50 ohms IN/OUT
INSERTION LOSS: 1.0 dB MAX
RIPPLE: 0.2 dB MAX
3dB BANDWIDTH: 2 MHz MIN
60dB BANDWIDTH: 6 MHz MAX
OPERATING TEMPERATURE : 0°C to +70°C



FN-620W DRAWING SUMMARY

FILTRONETICS, INC.
 6010 PARRETTA DR.
 KANSAS CITY, MO 64120
 816-231-7375
 FAX 816-241-0368
 WWW.FILTRO.NET

TOLERANCES UNLESS NOTED

ANGLE = $\pm 1^\circ$	HOLES
.XX = $\pm .020$	$\pm .002$
.XXX = $\pm .010$	

REVISED 3/27/06