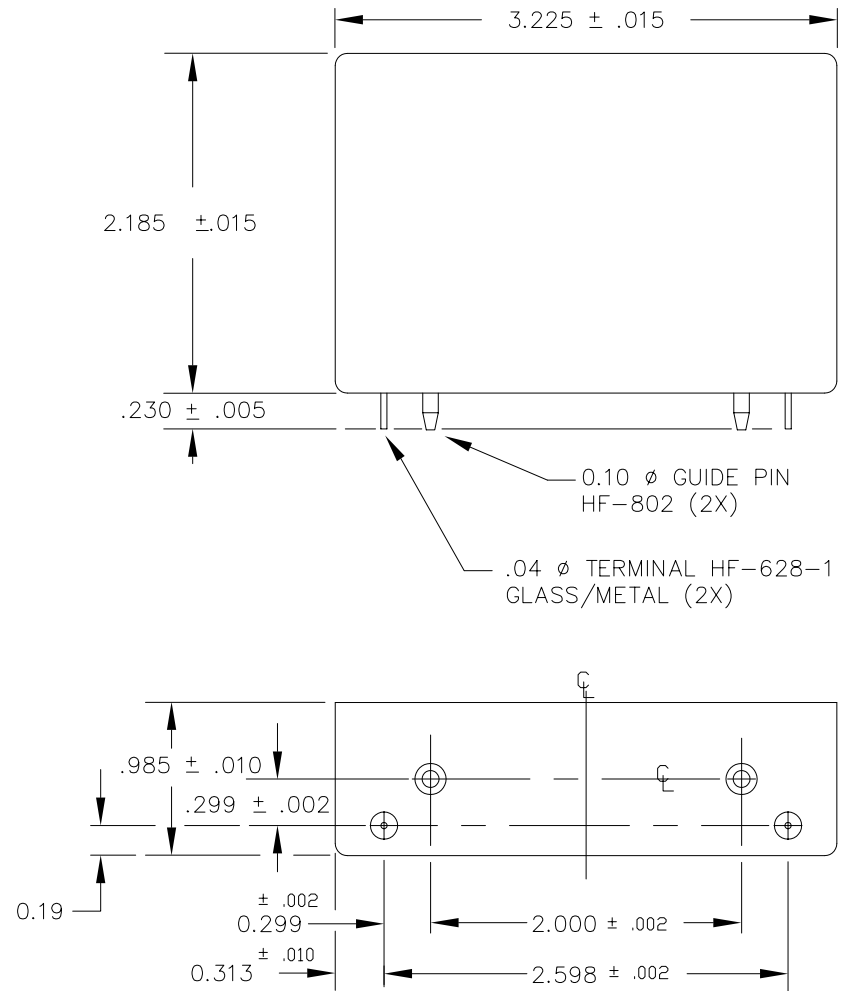


BANDPASS FILTER

Fo: 455.0 KHz
IMPEDANCE : 5.0 Kohm // 25 pF IN/OUT
INSERTION LOSS: 6.0 dB MAX
RIPPLE: 1.0 dB MAX
3dB BANDWIDTH: 16 KHz MIN
60dB BANDWIDTH: 32 KHz MAX
OPERATING TEMPERATURE : 0°C to +65°C



FN-539W DRAWING SUMMARY

FILTRONETICS, INC.
 6010 PARRETTA DR.
 KANSAS CITY, MO 64120
 816-231-7375
 FAX 816-241-0368
 WWW.FILTRO.NET

TOLERANCES UNLESS NOTED

ANGLE = $\pm 1^\circ$	HOLES
.XX = $\pm .020$	$\pm .002$
.XXX = $\pm .010$	

REVISED 11/3/03