

SPECIFICATION

CRYSTAL BAND PASS FILTER
 PART NUMBER: FN-4770W

ISSUED / REVISION	ENGINEER APPROVED	DOCUMENT CHECKED	DRAFTSMAN
06/23/2025 ^(PG)			

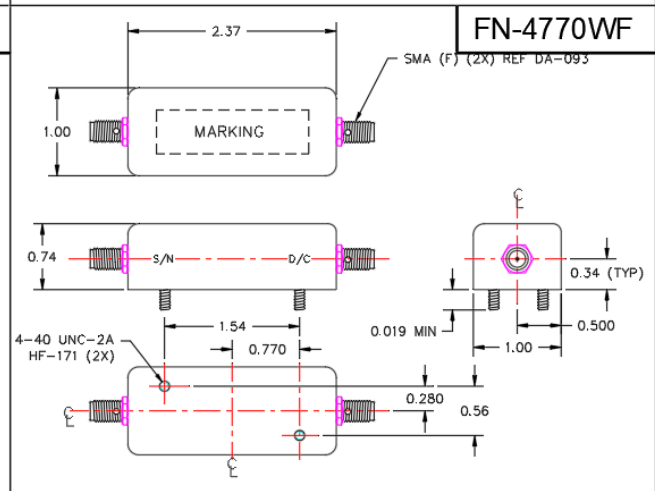
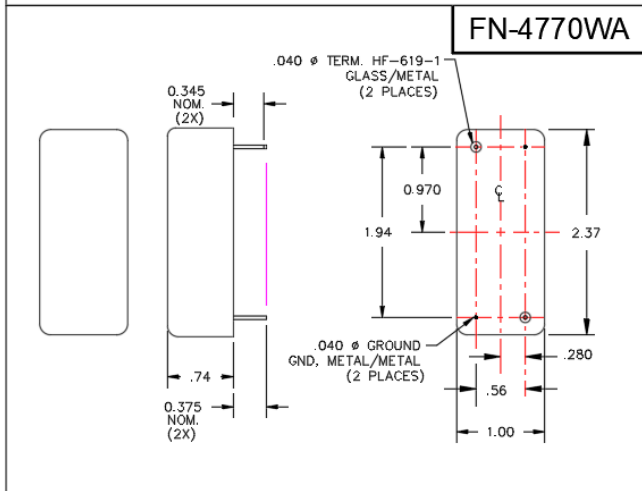
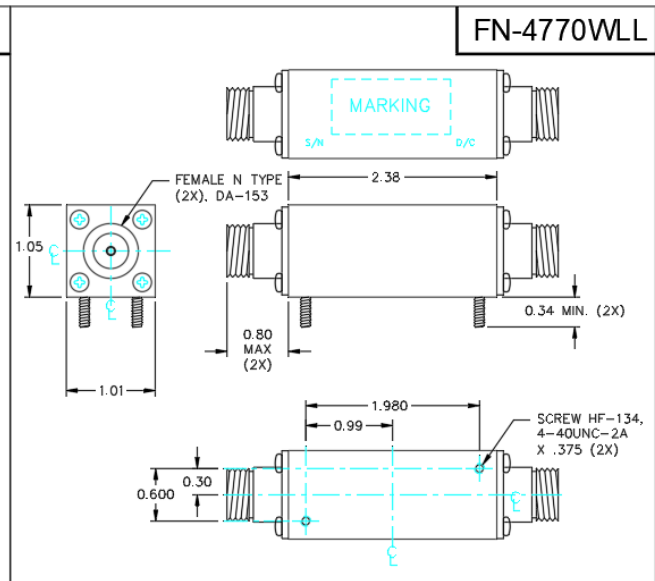
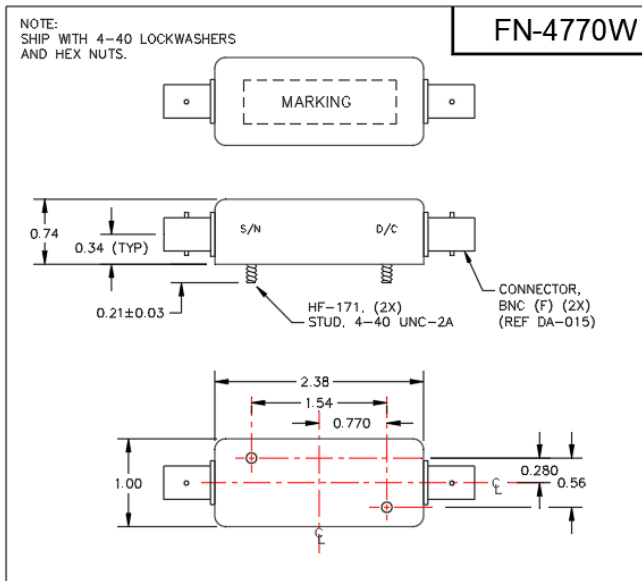
FILTRONETICS Inc

1. Part Number: FN-4770W

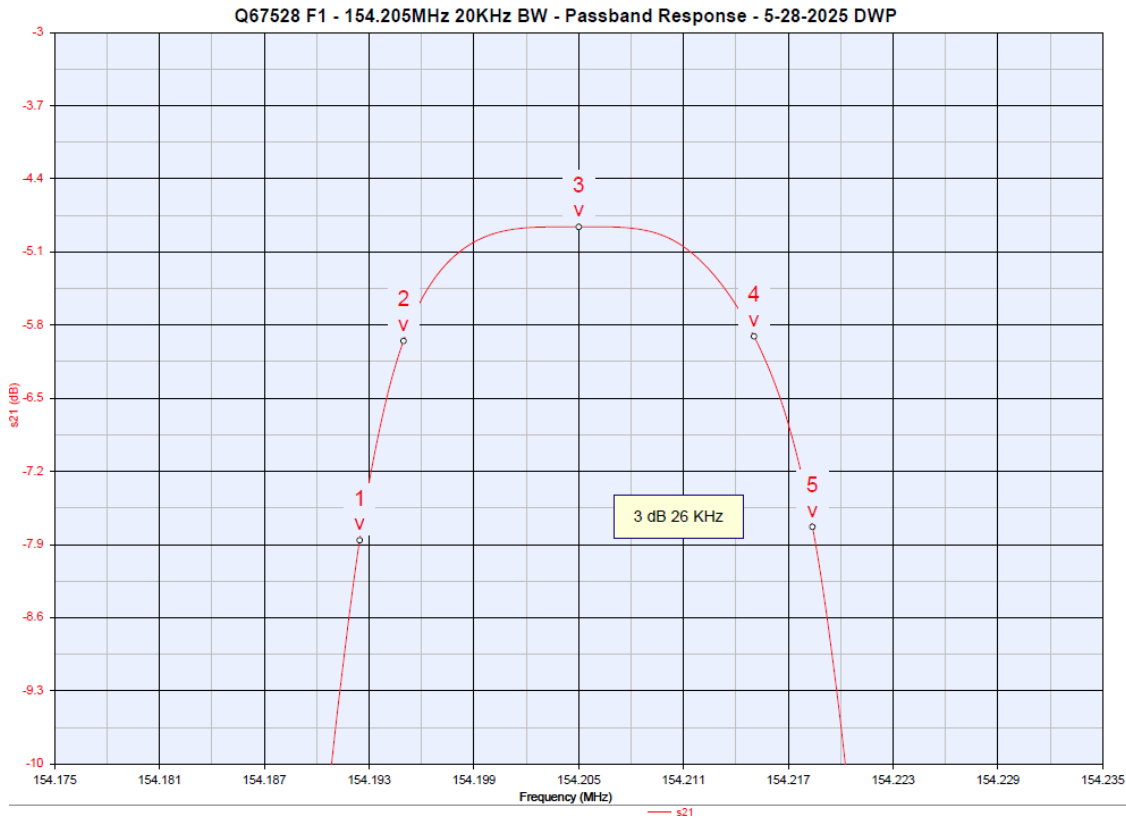
2. Electrical Specifications:

Filter Type	Band Pass
Center Frequency (Fo)	154.205 MHz
3 dBc Band Width:	20 KHz Min
40 dBc Band Width	+/- 45 KHz Max
Ultimate Attenuation	40 dB
Insertion Loss:	7.5 dB Max
Pass Band Ripple:	1.0 dB Max
Input Power:	0 dBm Max
Impedance:	50 Ohms
Operating Temperature:	0 to +75°C
Workmanship:	J-STD-001

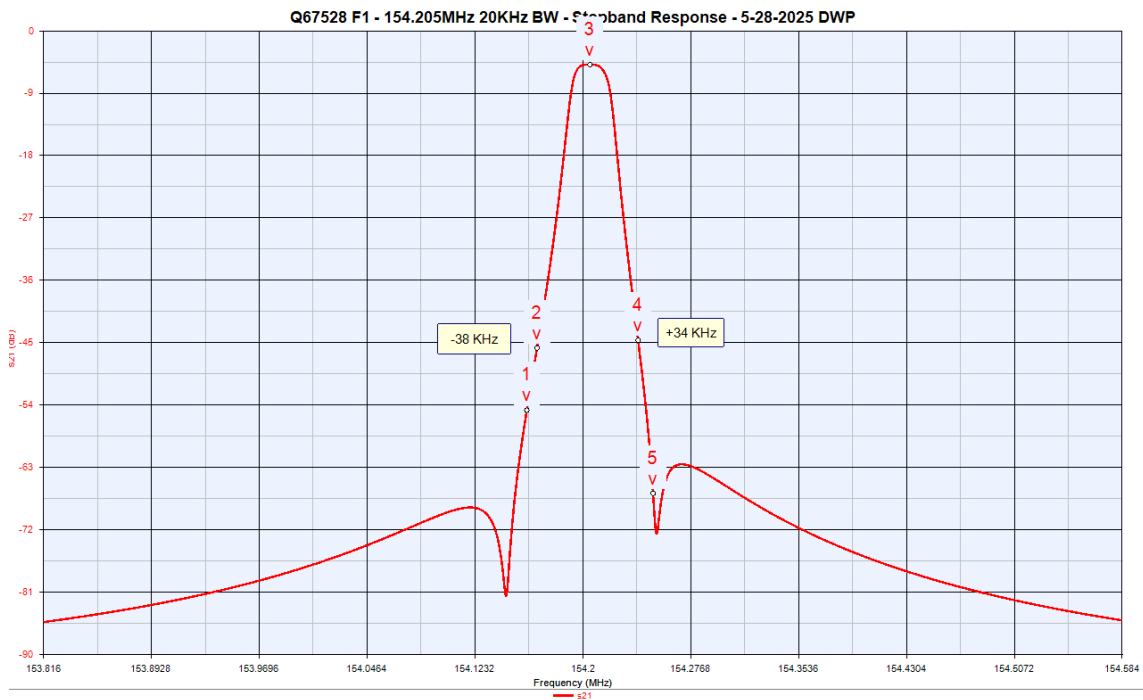
3. Example Mechanical Package Styles:



4. Theoretical Response Plots:



- 1) 154.19246 MHz
-7.857709 dB
- 2) 154.194968 MHz
-5.950317 dB
- 3) 154.205 MHz
-4.859436 dB
- 4) 154.215032 MHz
-5.906153 dB
- 5) 154.218376 MHz
-7.729801 dB



- 1) 154.160065 MHz
-54.739117 dB
- 2) 154.16738 MHz
-45.758844 dB
- 3) 154.205 MHz
-4.859436 dB
- 4) 154.239276 MHz
-44.641615 dB
- 5) 154.249935 MHz
-66.760746 dB