

SPECIFICATION

ITEM: LC FILTER
 PART NUMBER: FN-4758W

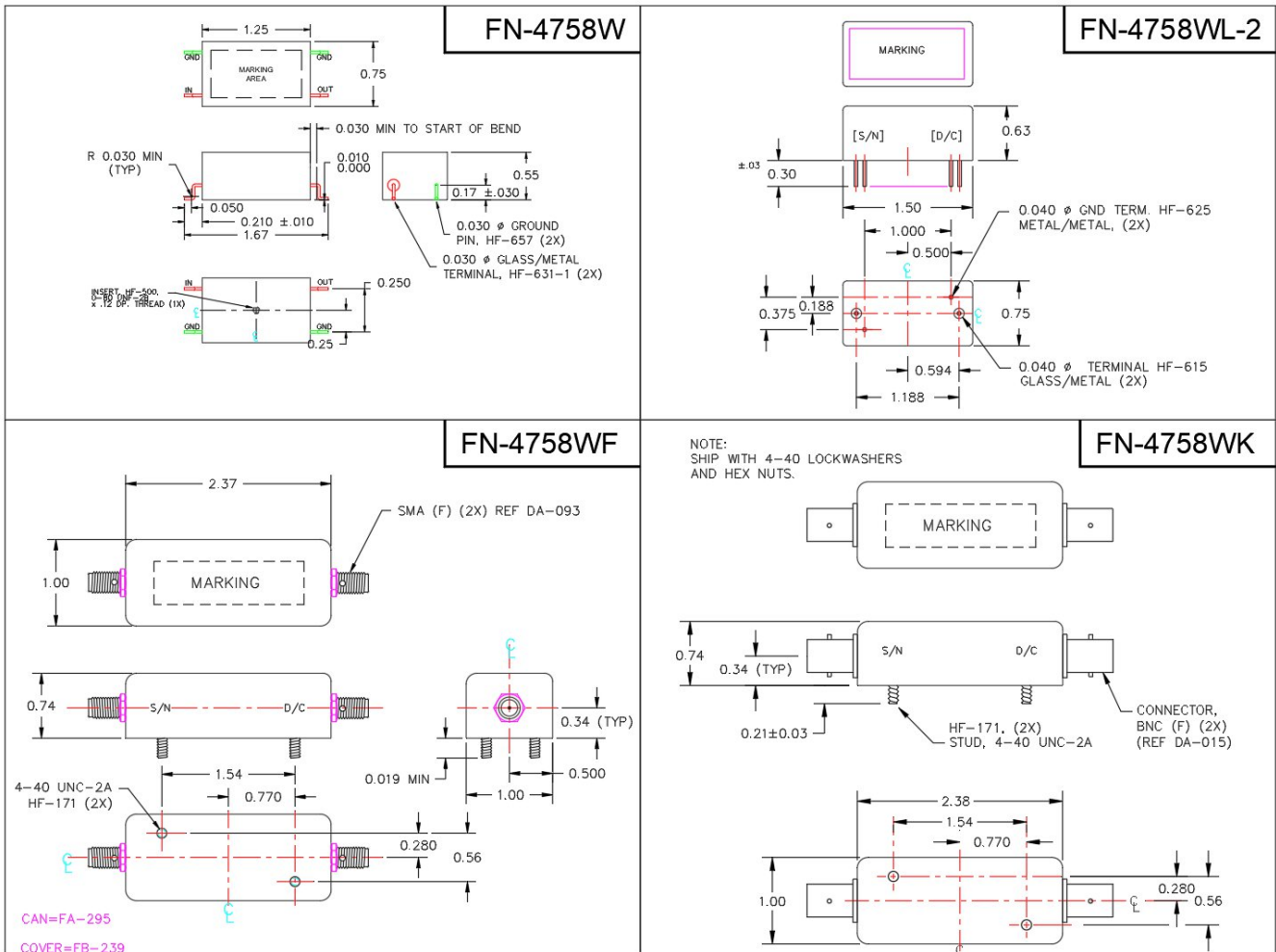
ISSUED / REVISION	ENGINEER APPROVED	DOCUMENT CHECKED	DRAFTSMAN
12/4/2024 ^(PG)			
<i>FILTRONETICS Inc</i>			

1. Part Number: FN-4758W

2. Electrical Specifications:

Filter Type	Band Pass
Center Frequency (Fo)	30 MHz
3 dB Band Width:	4.8 MHz Min
Insertion Loss:	3 dB Max
Pass Band Return Loss over 80% of PBW:	15 dB Min
Pass Band Ripple:	1 dB Max
30 dB Band Width:	±10 MHz Max
Input Power:	0 dBm Max
Impedance:	50 Ohms
Operating Temperature:	-40° ~ +75° C
High Temperature Solder is required to assemble this device	Customer Installation temperature +200°C Exceeding this temperature could cause permanent damage to this filter.

3. Example Mechanical Package Styles:



4. Theoretical Response Plots:

