

SPECIFICATION

CRYSTAL BAND PASS FILTER

PART NUMBER: FN-4753W

ISSUED / REVISION	ENGINEER APPROVED	DOCUMENT CHECKED	DRAFTSMAN
12/4/2024 ^(PG)			

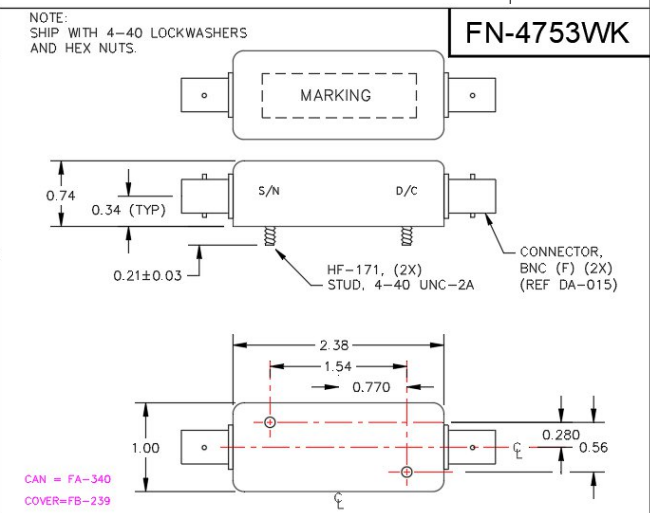
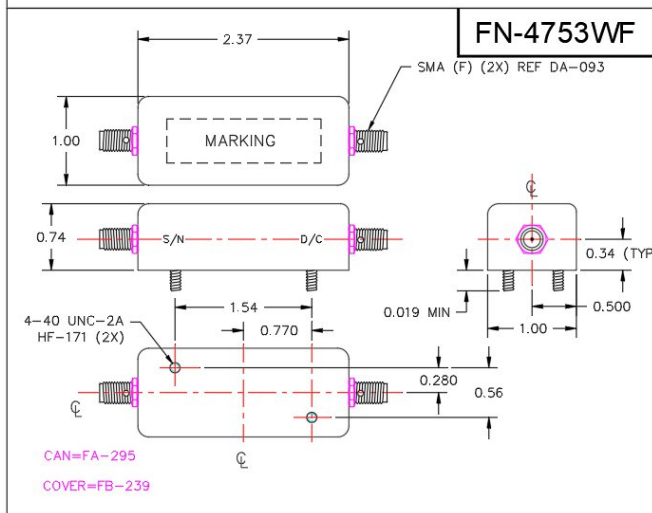
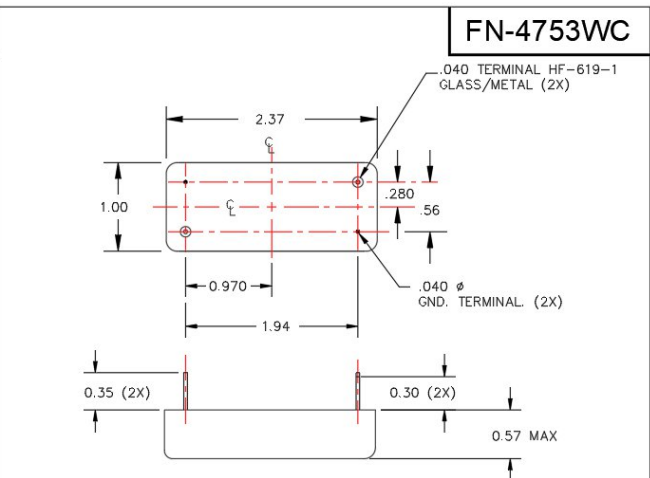
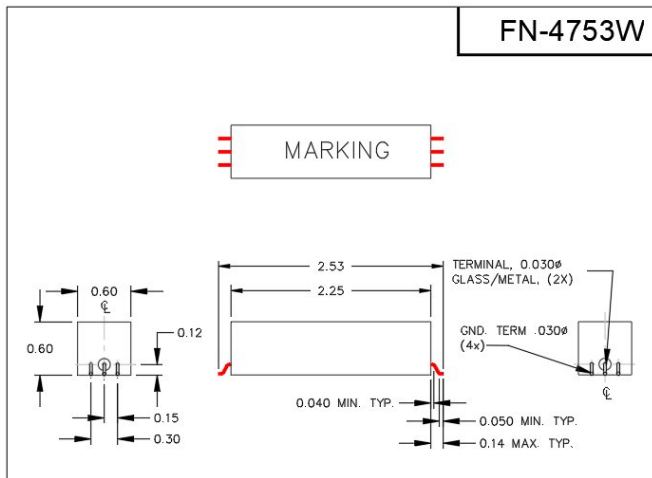
FILTRONETICS Inc

1. Part Number: FN-4753

2. Electrical Specifications:

Filter Type	Crystal Band Pass
Center Frequency (Fo)	70 MHz
3 dB Band Width:	300 kHz Min
Insertion Loss:	7 dB Max
Pass Band Ripple:	1 dB Max
60 dB Band Width:	2 MHz Max
Input Power:	0 dBm Max
Impedance:	50 Ohms
Operating Temperature:	-40° to +85° C

3. Example Mechanical Package Styles:



4. Theoretical Response Plots:

