

SPECIFICATION
FILTER SPECIFICATION
COMMERCIALLY AVAILABLE

PART NUMBER: FN-4752W

| ISSUED / REVISION | ENGINEER APPROVED | DOCUMENT CHECKED | DRAFTSMAN | DOCUMENT CHECKED |
|---------------------------|-------------------|------------------|-----------|------------------|
| 12/4/2024 ^(PG) | | | | |
| | | | | |

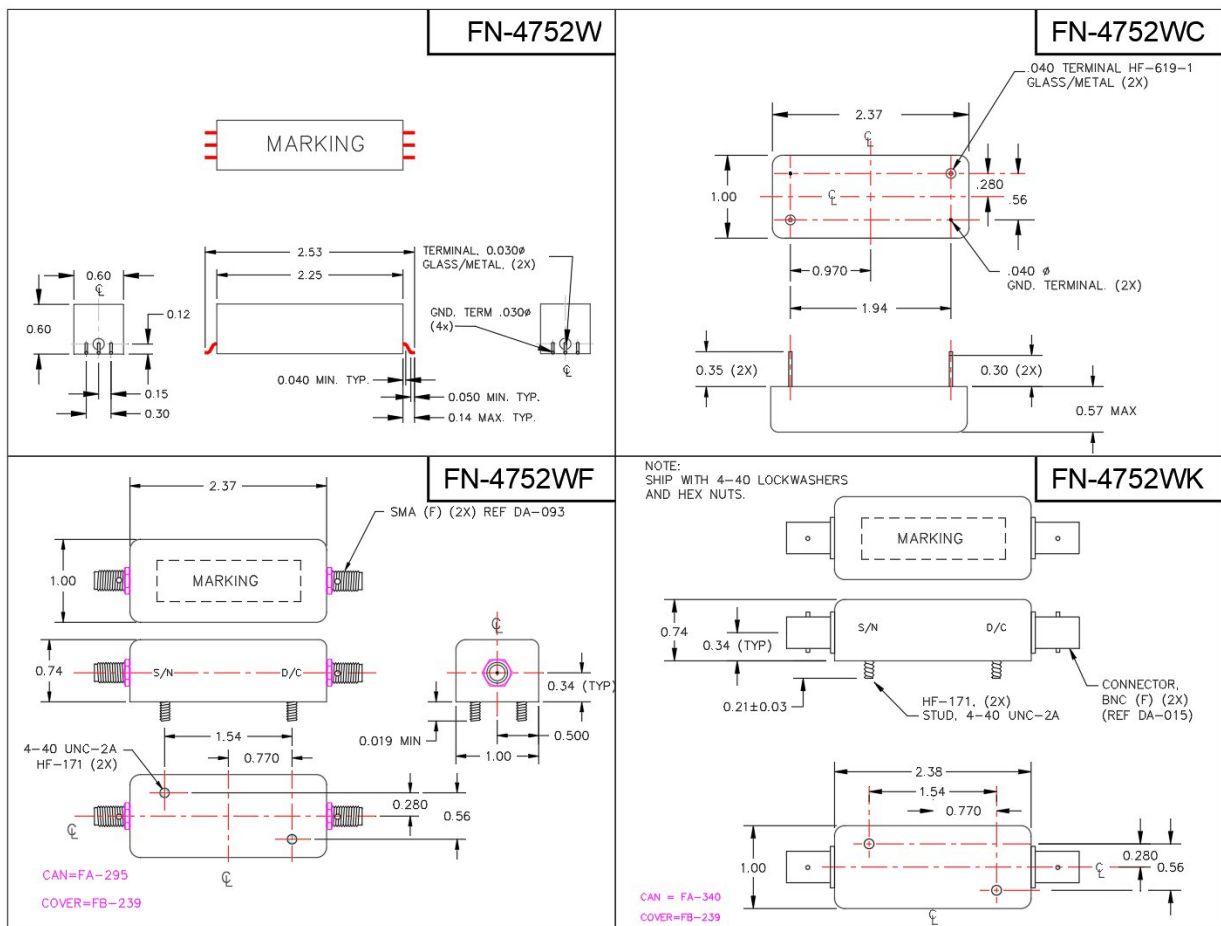
FILTRONETICS Inc

1. Part Number: FN-4752W

2. Electrical Specifications:

| | |
|------------------------|----------------------------------|
| Filter Type | LC Band Pass |
| Center Frequency (Fo) | 10.7MHz |
| 3dBc Band Width: | 300 kHz Min |
| Insertion Loss: | 6.5 dB Max |
| Pass Band Ripple: | 1dB Max / 0 dB Typical |
| Stopband: | 60dB Min @ ±1 MHz |
| Impedance: | 50 Ohms |
| Input Power: | ±10dBm Max, 15dbm without damage |
| Operating Temperature: | -40°C to +85°C |

3. Example Mechanical Package Styles:



Theoretical Response Plots:

