

# SPECIFICATION

ITEM: CRYSTAL FILTER  
 PART NUMBER: FN-4743W

ISSUED / REVISION	ENGINEER APPROVED	DOCUMENT CHECKED	DRAFTSMAN
08/02/2024 <sup>(PG)</sup>			

***FILTRONETICS Inc***

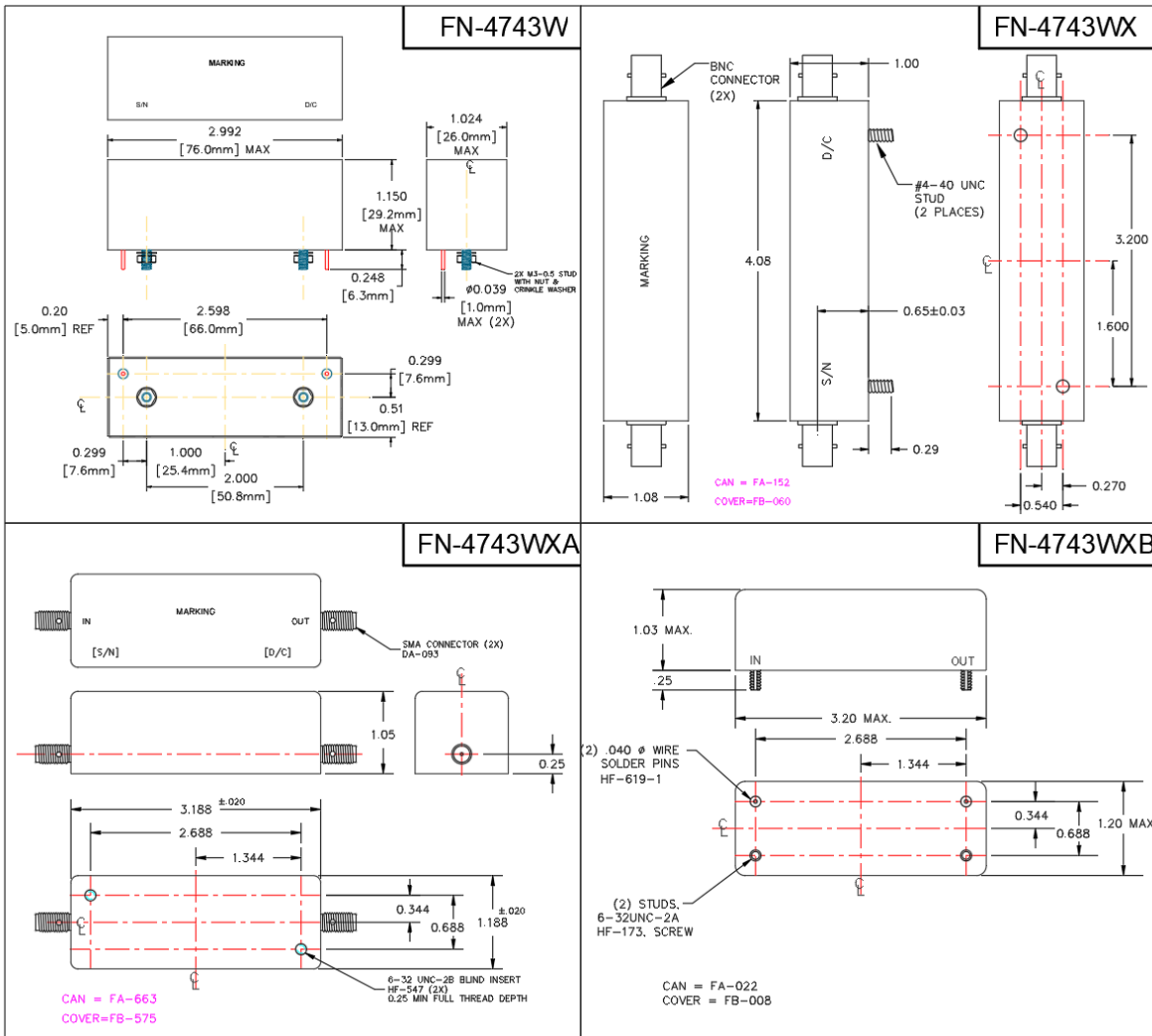
1. Part Number: FN-4743W

2. Electrical Specifications:

Filter Type	Crystal Band Pass
Center Frequency (Fo)	1.4 MHz
3 dB Band Width:	± 75 Hz Min
Insertion Loss:	6.5 dB Max
Pass Band Ripple:	3 dB Max
**60 dB Band Width:	± 1 kHz Max
**Ultimate Attenuation: (Fo ± 500 kHz)	70 dB Min
Input Power:	0 dBm
Impedance:	50 Ohms
Operating Temperature:	-10° to +60° C
Storage Temperature	-20° to +70° C

\*\* Excluding spurious

3. Example Mechanical Package Styles:



4. Theoretical Response Plots:

